

T&S BRASS AND BRONZE WORKS, INC.
 2 SADDLEBACK COVE / P.O. BOX 1088 / TRAVELERS REST, SC 29690
 PHONE 800-476-4103 FAX 864- 834-3518



Sales No.

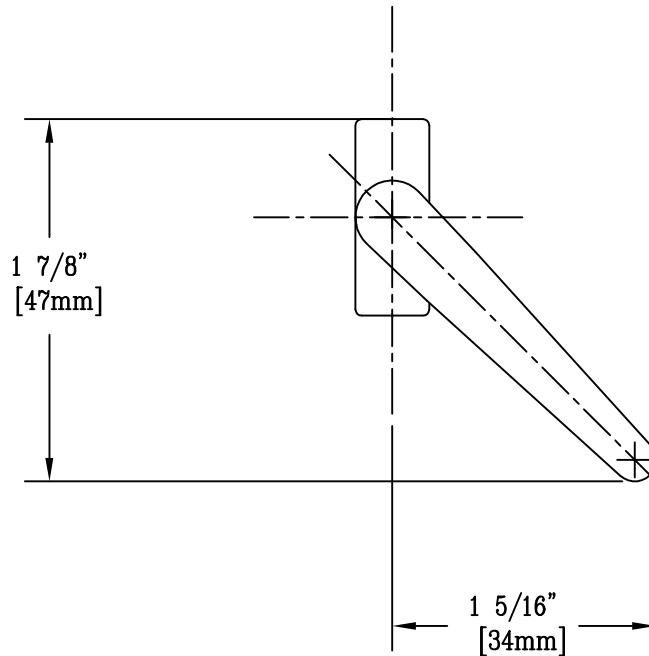
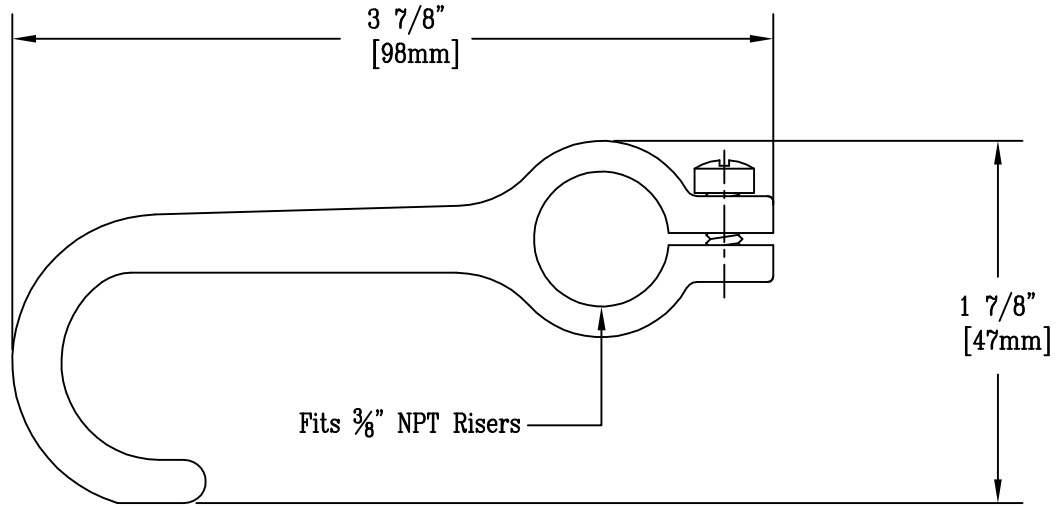
000021-40

Item No.:

Job Name:

Architect/Engineer Approval:

Notes:



Product Description:

Drawn:

Checked

Scale:

WJS

JHB

1 : 1

Finger Hook

Approved

Date:

JHB

12/5/05