



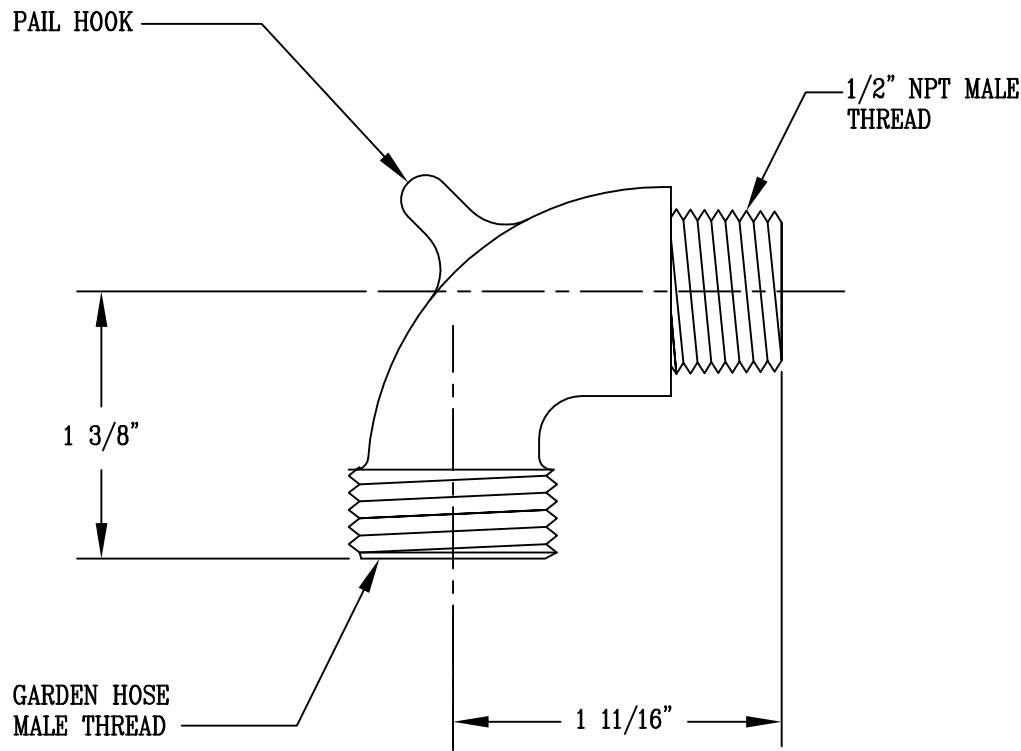
T&S BRASS AND BRONZE WORKS, INC.
 2 SADDLEBACK COVE / P.O. BOX 1088 / TRAVELERS REST, SC 29690
 PHONE 800-476-4103 FAX 803- 834-3518



Model No.
 000270-25
 Item No.:

Job Name: Architect/Engineer Approval:

Notes:



Product Description: SPOUT: GARDEN HOSE MALE x 1/2" NPT MALE, ROUGH CHROME FINISH	Drawn: WJS	Checked	Scale: 1:1
	Approved		Date: