



T&S BRASS AND BRONZE WORKS, INC.
 2 SADDLEBACK COVE / P.O. BOX 1088 / TRAVELERS REST, SC 29690
 PHONE 800-476-4103 FAX 803- 834-3518



Model No.

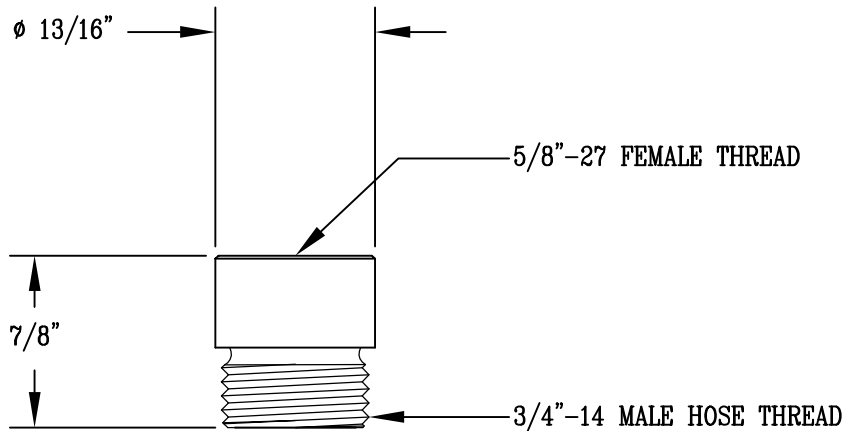
000552-25

Item No.:

Job Name:

Architect/Engineer Approval:

Notes:



Product Description:

ADAPTER: $3/4"-14$ MALE x $5/8-27$ FEMALE

Drawn:

WJS

Checked

MWR

Scale:

1 : 1

Approved

CA

Date:

12/19/95