

T&S BRASS AND BRONZE WORKS, INC.

2 SADDLEBACK COVE / P.O. BOX 1088 / TRAVELERS REST, SC 29690

PHONE 800-476-4103

FAX 803- 834-3518



Model No.

002970-45

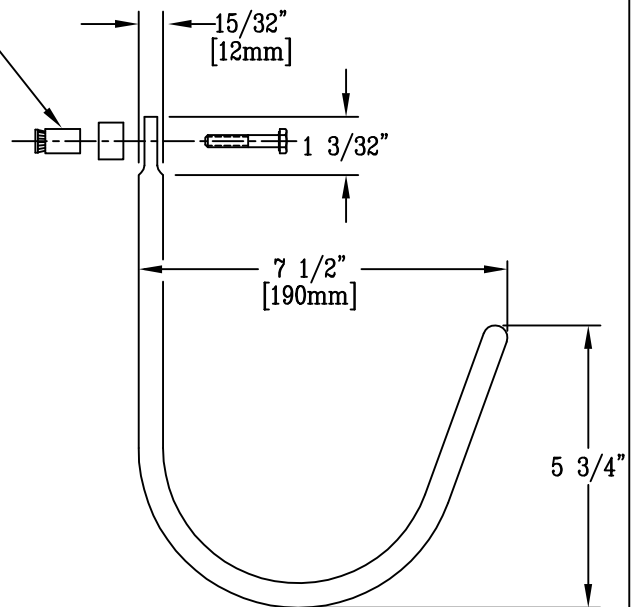
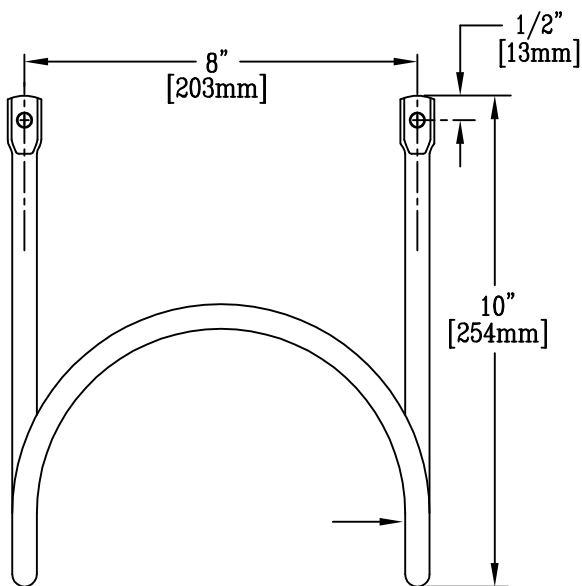
Item No.:

Job Name:

Architect/Engineer Approval:

Notes:

STAINLESS STEEL HOSE RACK
IS FURNISHED WITH (2) EACH:
-1/4-20 x 1.5" HEX CAP SCREW
-HOSE RACK SPACER
-ANCHOR SHIELD



Product Description:

INDUSTRIAL WASHDOWN STATION HOSE BRACKET

Drawn:

WJS

Approved

MVW

Checked

JKD

Scale:

1:4

Date:

5/6/98