



T&S BRASS AND BRONZE WORKS, INC.
 2 SADDLEBACK COVE / P.O. BOX 1088 / TRAVELERS REST, SC 29690
 PHONE 800-476-4103 FAX 864- 834-3518



Sales No.

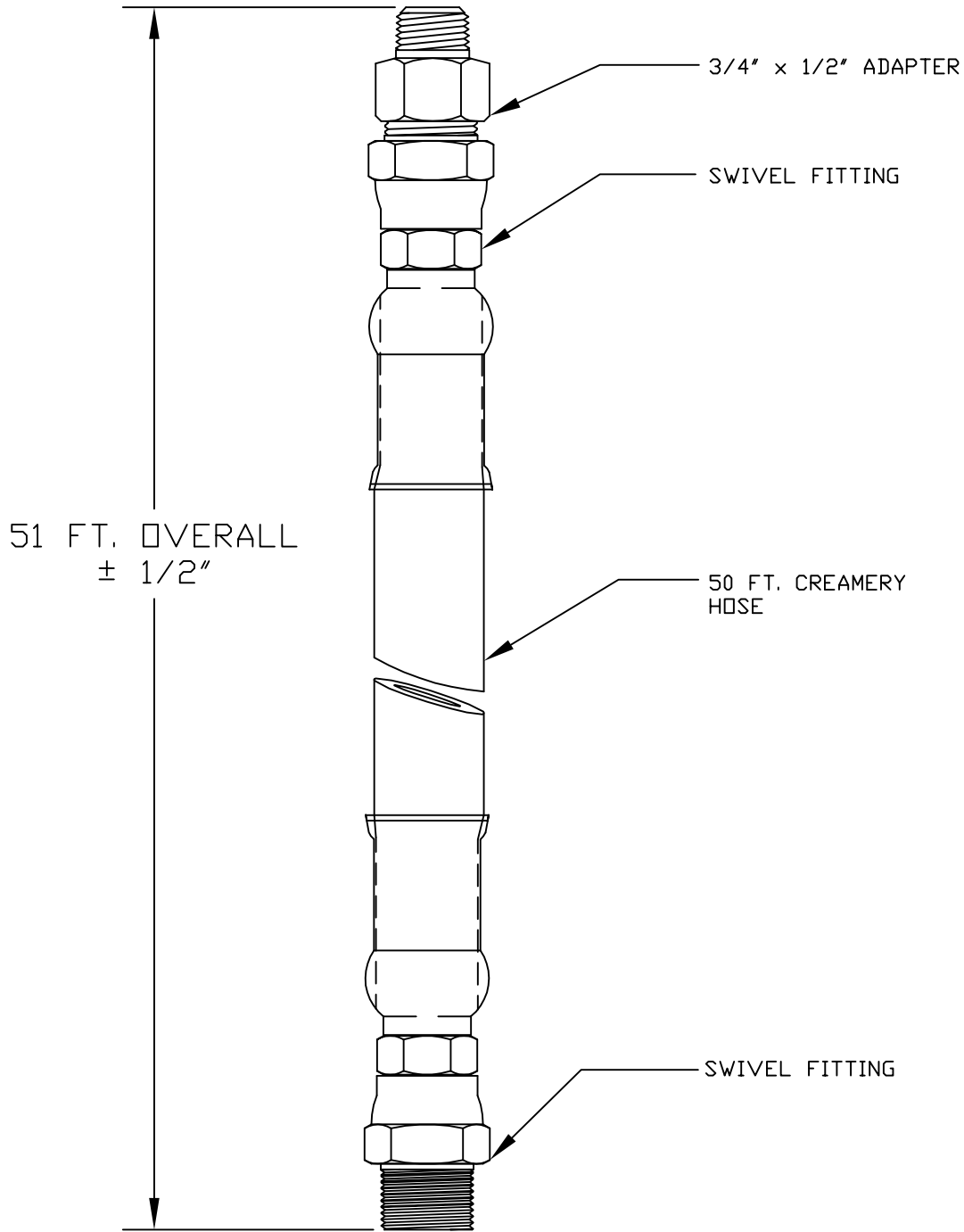
004980-40

Item No.:

Job Name:

Architect/Engineer Approval:

Notes:



51 FT. OVERALL
 $\pm 1/2''$

Product Description:

50 FT. CREAMERY HOSE ASM

Drawn:

WJS

Approved

Checked

Scale:

1 : 4

Date: