



T&S BRASS AND BRONZE WORKS, INC.  
 2 SADDLEBACK COVE / P.O. BOX 1088 / TRAVELERS REST, SC 29690  
 PHONE 800-476-4103 FAX 864- 834-3518



Model No.

009331-41

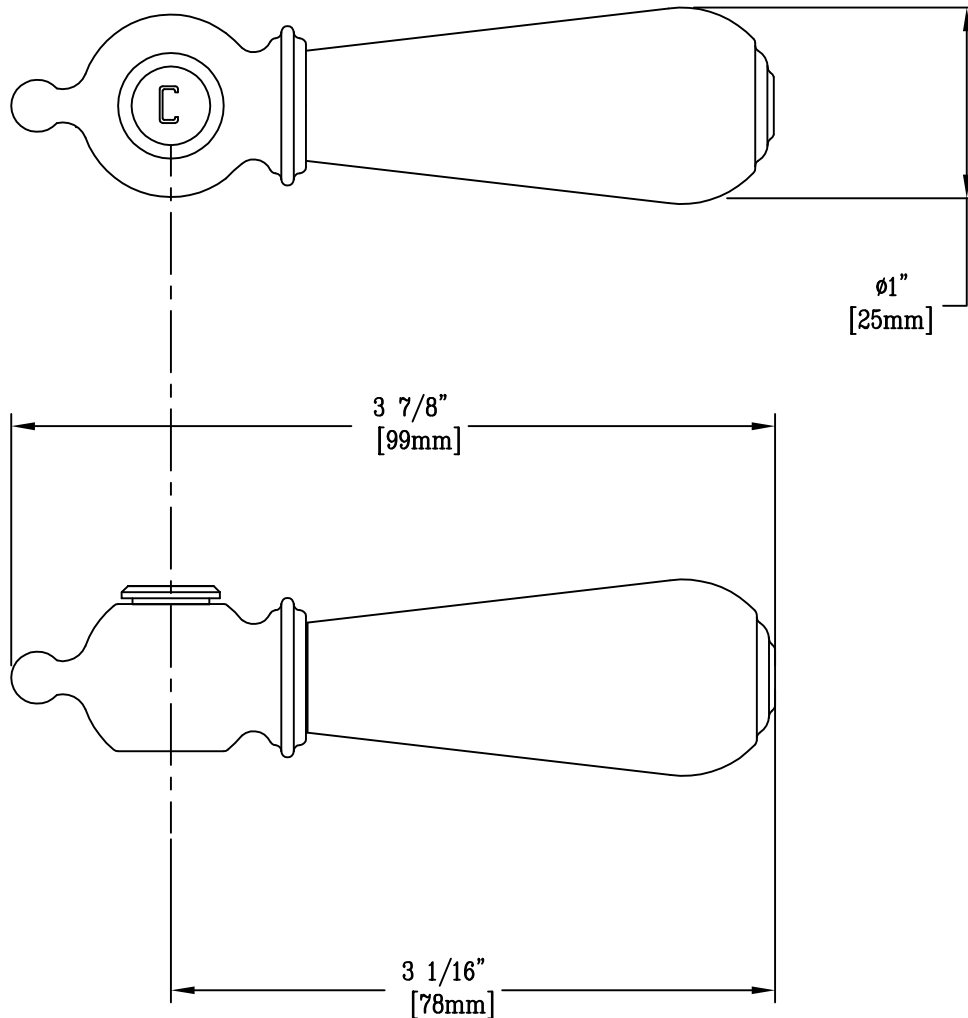
Item No.:

REG.#A2601  
 ISO #9001

Job Name:

Architect/Engineer Approval:

Notes:



Product Description:

INSIGNIA LINE DECORATIVE CHROME CLUB HANDLE  
 WITH "COLD" INSERT

Drawn:

WJS

Approved

MVW

Checked

JKD

Scale:

1 : 1

Date:

6-9-00