

T&S BRASS AND BRONZE WORKS, INC.
 2 SADDLEBACK COVE / P.O. BOX 1088 / TRAVELERS REST, SC 29690
 PHONE 800-476-4103 FAX 864- 834-3518



Sales No.

010321-45

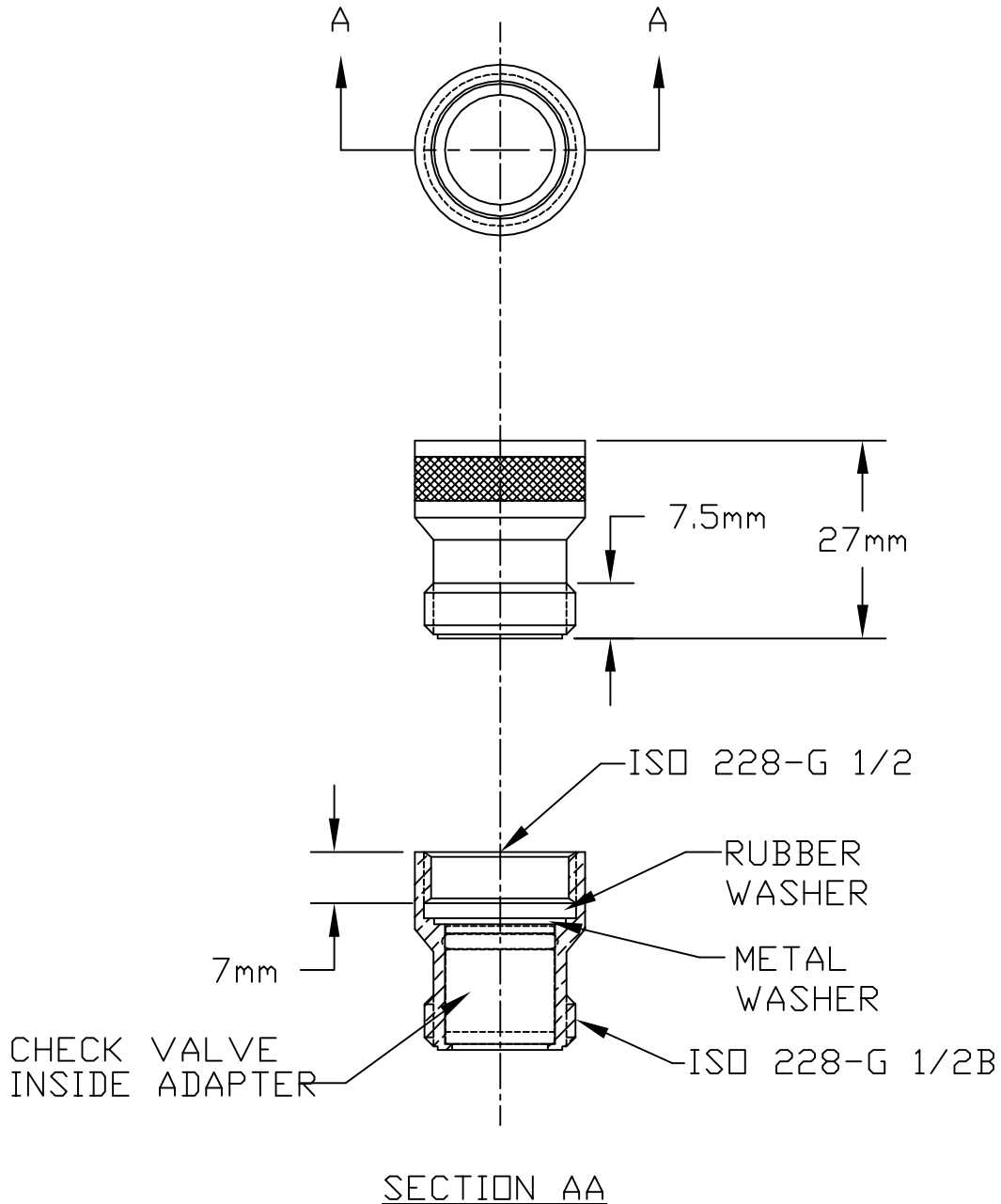
Item No.:

REG.#A2601
 ISO #9002

Job Name:

Architect/Engineer Approval:

Notes:



Product Description:
 1/2" FEMALE TO 1/2" MALE ADAPTER,
 15mm CHECK VALVE HOUSING

Drawn:

MVW

Checked

JKD

Scale:

1:1

Approved

MVW

Date:

11/5/99