



T&S BRASS AND BRONZE WORKS, INC.

2 Saddleback Cove / P.O. Box 1088
Travelers Rest, SC 29690



REG. #A2601
ISO #9001

Model No.
011406-40

Item No.

1 of 2

Travelers Rest: 800-476-4103

Simi Valley: 800-423-0150

Fax: 864-834-3518

www.tsbrass.com

This Space for Architect/Engineer Approval

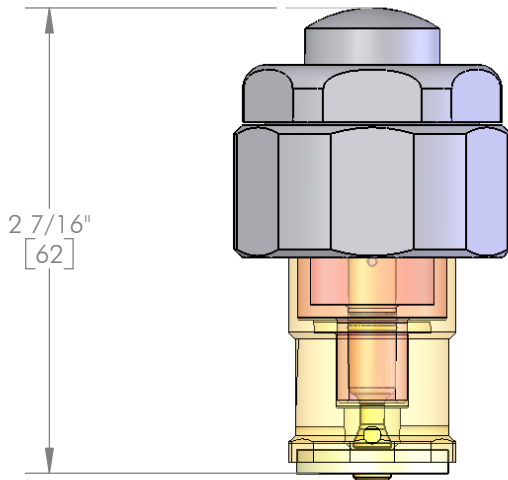
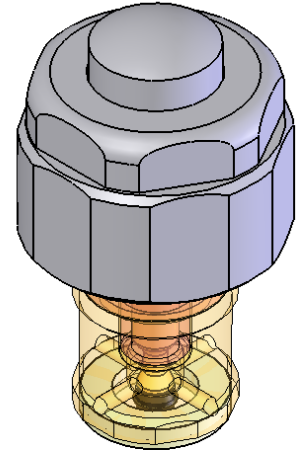
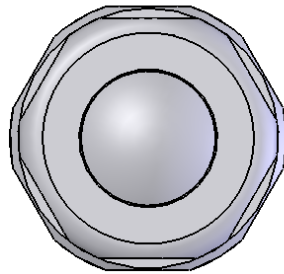
Job Name _____ Date _____

Model Specified _____ Quantity _____

Customer/Wholesaler _____

Contractor _____

Architect _____



Product Specifications:
Foot Pedal Metering Cartridge Assembly

Drawn
WJS

Checked
LEL

Approved
MVW

Scale:

1:1

Date:

02/01/05



T&S BRASS AND BRONZE WORKS, INC.

2 Saddleback Cove / P.O. Box 1088
Travelers Rest, SC 29690



REG. #A2601
ISO #9001

Model No.

011406-40

Item No.

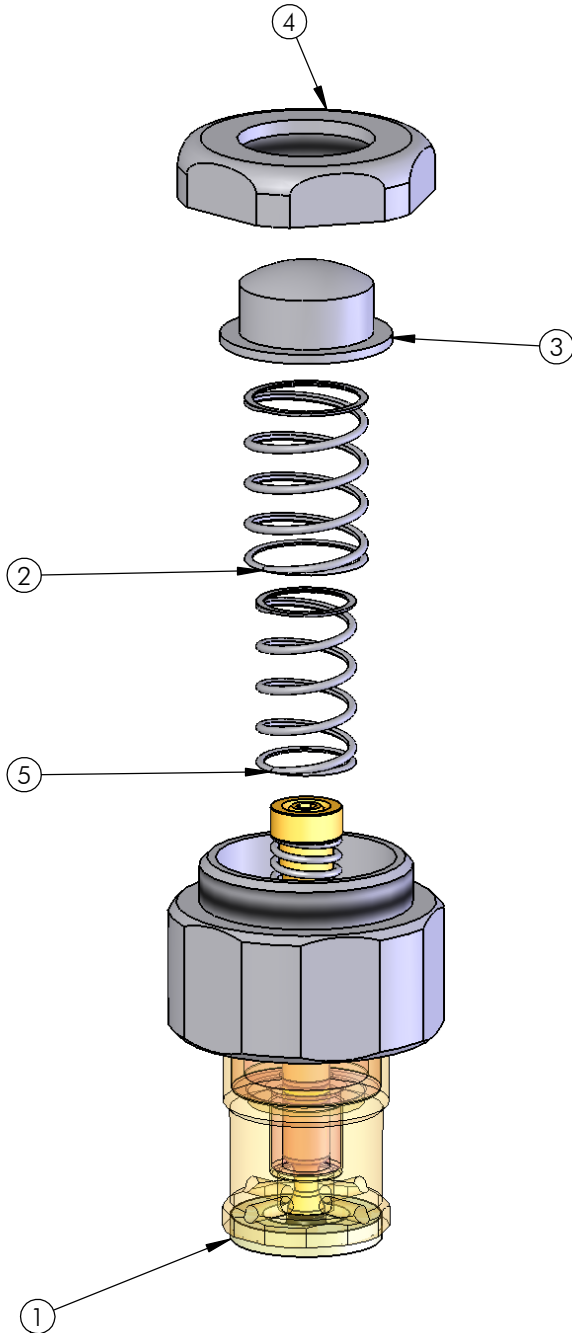
2 of 2

Travelers Rest: 800-476-4103

Simi Valley: 800-423-0150

Fax: 864-834-3518

www.tsbrass.com



Item No.	Sales No.	Description
1	014385-40	Metering Ctg Asm
2	011398-45	Spring
3	011318-25	Button
4	014388-20	Slow Close Cap
5	011405-45	Spring, Slow Close

Product Specifications:

Foot Pedal Metering Cartridge Assembly

Drawn
WJS

Checked
LEL

Approved
MVW

Scale:

1:1

Date:

02/01/05