

T&S BRASS AND BRONZE WORKS, INC.

2 SADDLEBACK COVE / P.O. BOX 1088 / TRAVELERS REST, SC 29690

PHONE 800-476-4103

FAX 864- 834-3518



Model No.

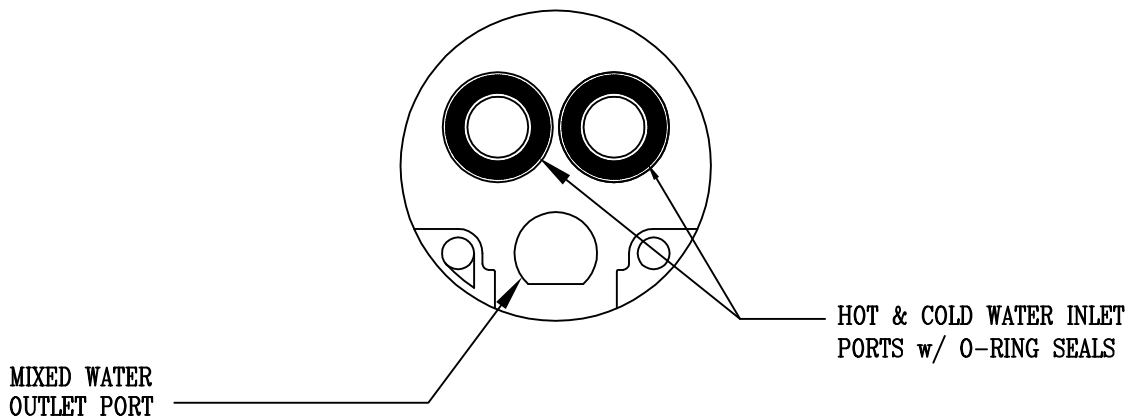
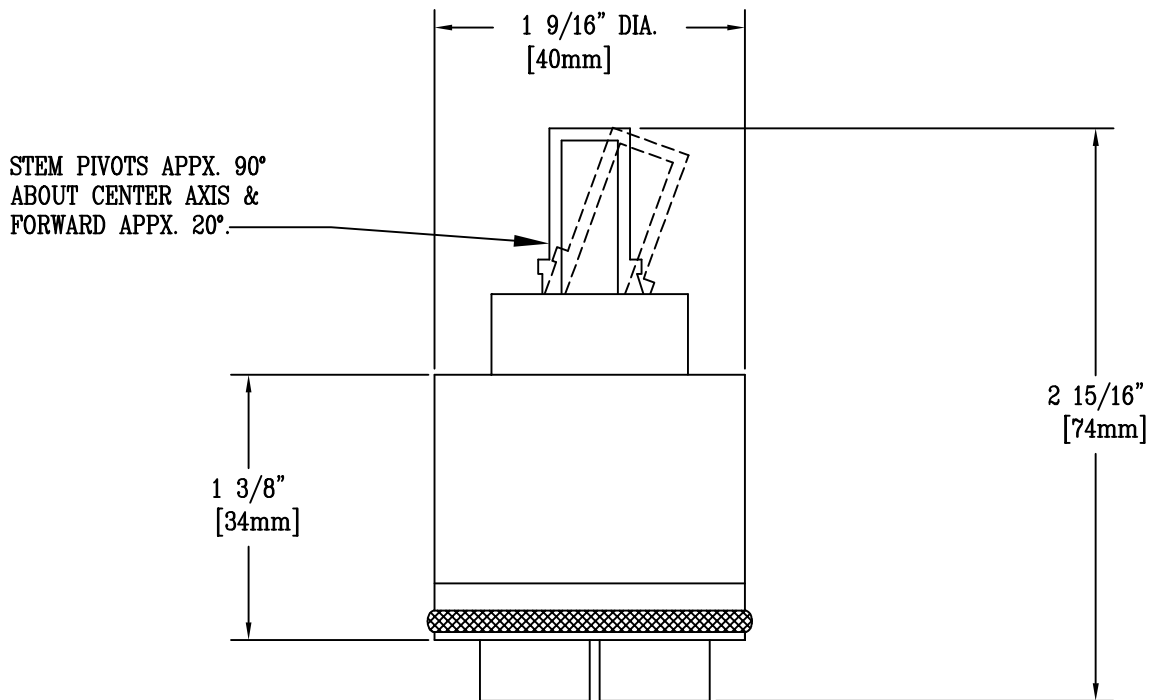
011887-45

Item No.:

Job Name:

Architect/Engineer Approval:

Notes:



Product Description:
SINGLE LEVER LINE ACCESSORY:
REPLACEMENT CARTRIDGE FOR B-2700 & B-2720 MODELS

Drawn:

WJS

Checked

MVW

Scale:

1:2

Approved

MVW

Date:

8/18/98