



T&S BRASS AND BRONZE WORKS, INC.
 2 SADDLEBACK COVE / P.O. BOX 1088 / TRAVELERS REST, SC 29690
 PHONE 800-476-4103 FAX 864- 834-3518



Model No.

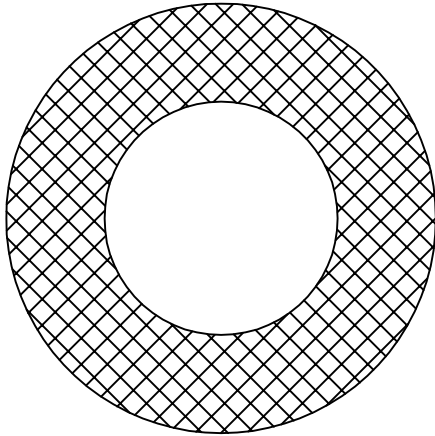
012625-45

Item No.:

Job Name:

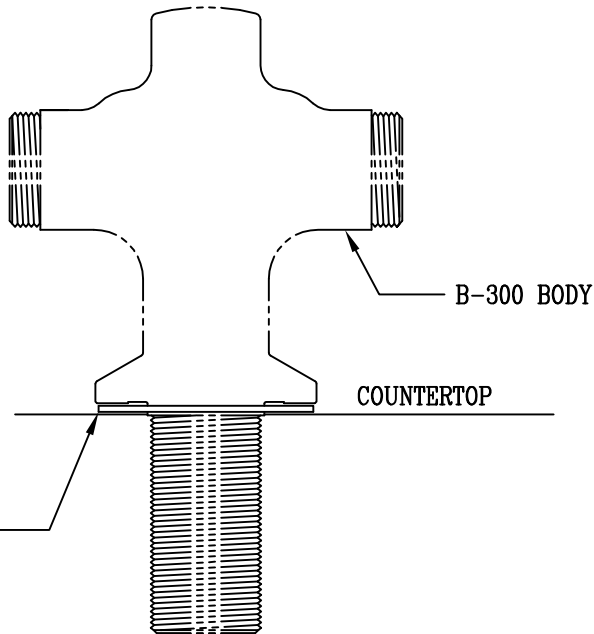
Architect/Engineer Approval:

Notes:



2 3/16"O.D. x 1 3/16" I.D. x 1/32 THICK

SCALE: 1=1



Product Description:

ABRASIVE, ANTI-ROTATION WASHER
 FOR USE WITH B-300 STYLE FCT. BODIES

Drawn:

TME

Checked

WJS

Scale:

6"=1'

Approved

JKD

Date:

04-04-00