



T&S BRASS AND BRONZE WORKS, INC.
 2 SADDLEBACK COVE / P.O. BOX 1088 / TRAVELERS REST, SC 29690
 PHONE 800-476-4103 FAX 864- 834-3518



Sales No.

013121-45

Item No.:

Job Name:

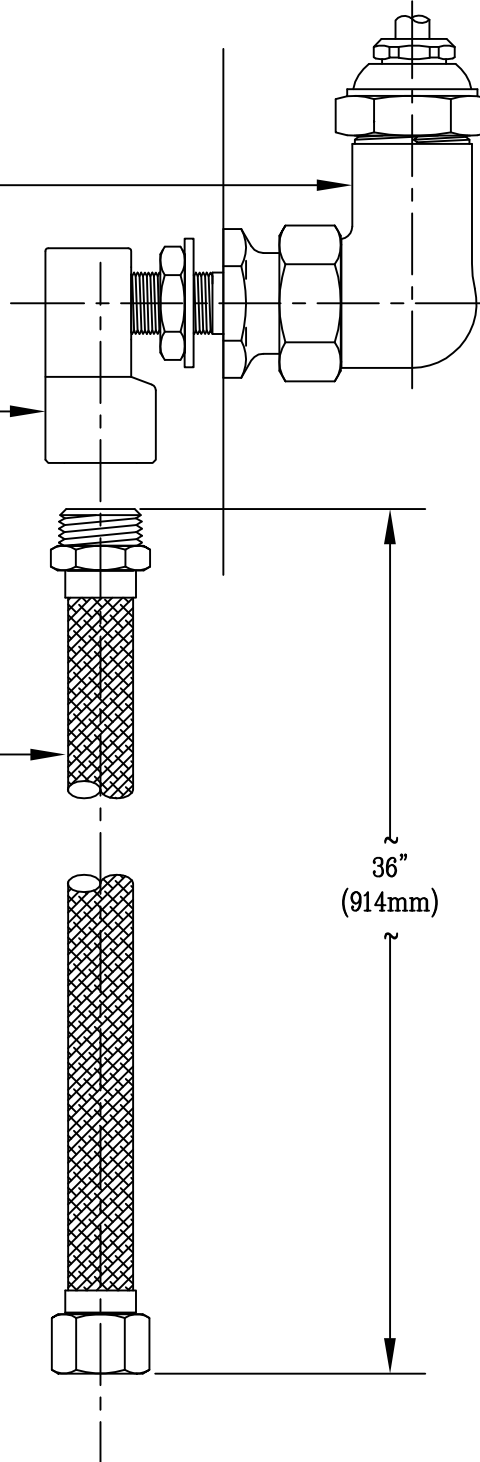
Architect/Engineer Approval:

Notes:

B-0230-CC (or SIMILAR) BASE
 FCT. SOLD SEPARATELY

006895-20 SHORT EL. 1/2"
 MALE x 1/2" FEMALE

1/2" NPT MALE x 1/2" NPT
 FEMALE x 36" LONG FLEXIBLE
 PVC HOSE



Product Description:

B-0230-CC ACCESSORY KIT:
 1/2" NPT MALE x FEMALE x 36" FLEX HOSE
 w/ 006895-20 1/2" NPT SHORT EL

Drawn:

WJS

Checked

JKD

Scale:

1 : 2

Approved

MVW

Date:

03-15-01