



**T&S BRASS AND BRONZE WORKS, INC.**  
 2 SADDLEBACK COVE / P.O. BOX 1088 / TRAVELERS REST, SC 29690  
 PHONE 800-476-4103 FAX 864-834-3518



Model No.

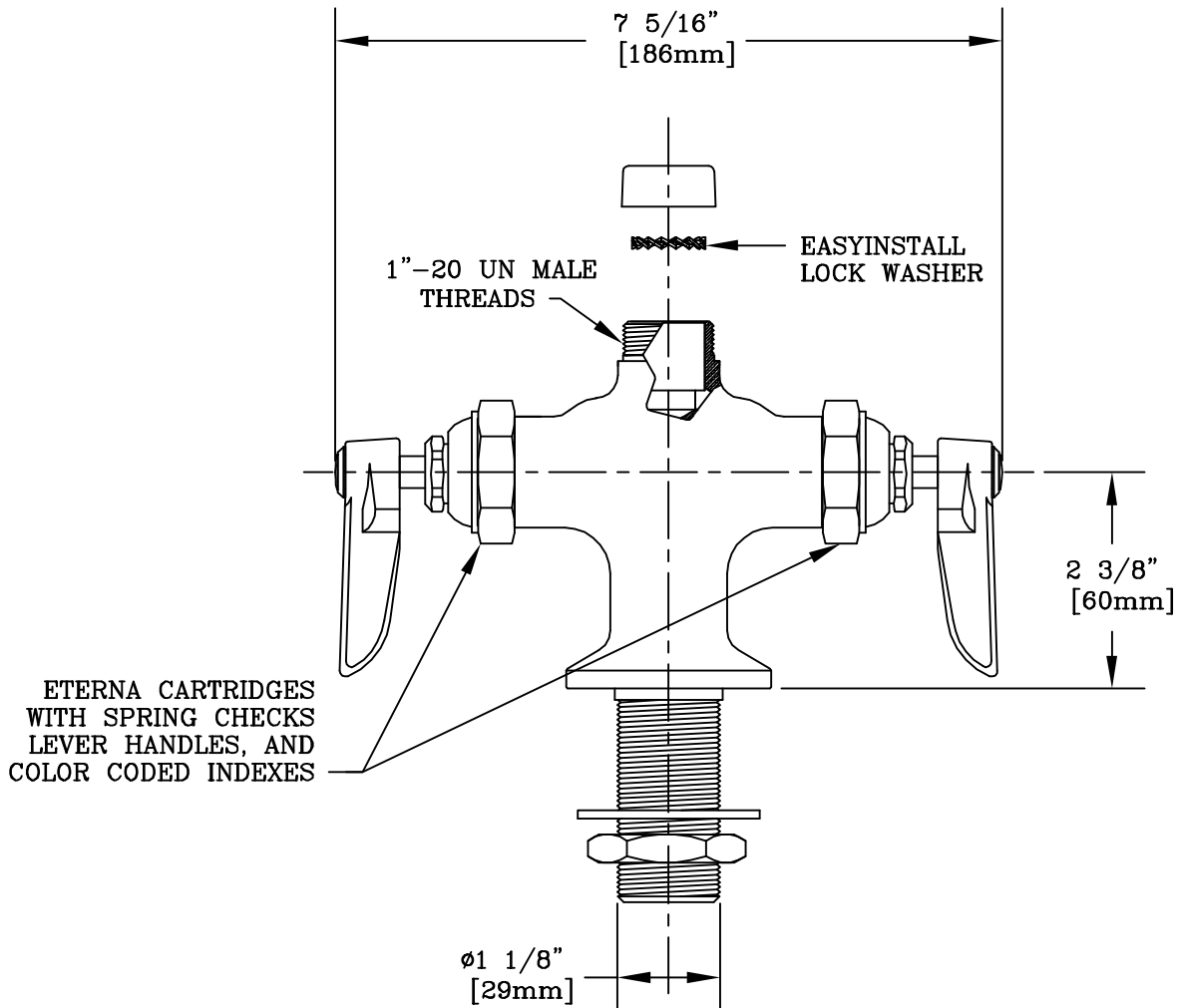
014207-40

Item No.:

Job Name:

Architect/Engineer Approval:

Notes:



Product Description:

EASY INSTALL BODY ASSEMBLY, B-0113-SERIES

Drawn:

MVW

Approved

MVW

Checked

WJS

Scale:

1 : 2

Date:

4/4/05