



# T&S BRASS AND BRONZE WORKS, INC.

2 SADDLEBACK COVE / P.O. BOX 1088 / TRAVELERS REST, SC 29690  
PHONE 800-476-4103 FAX 864-834-3518



Model No.

**034A**

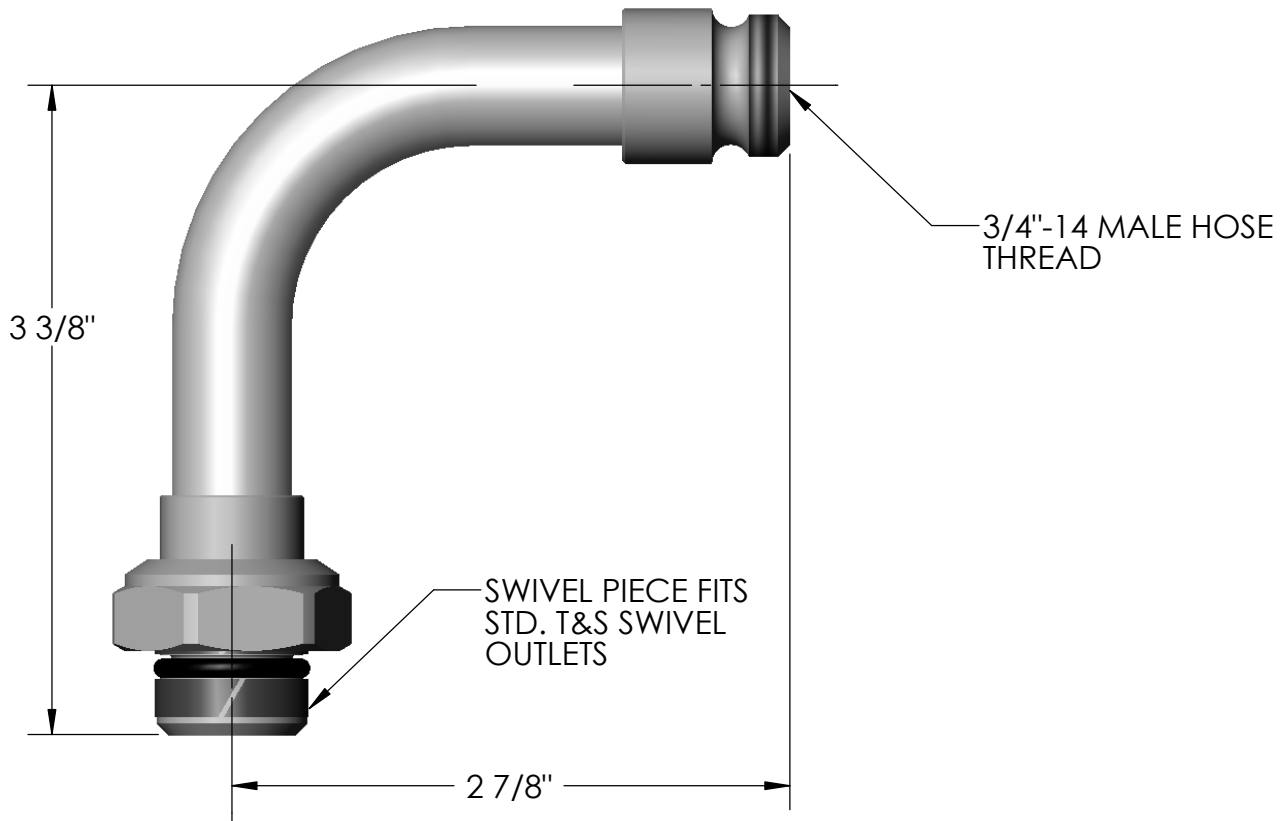
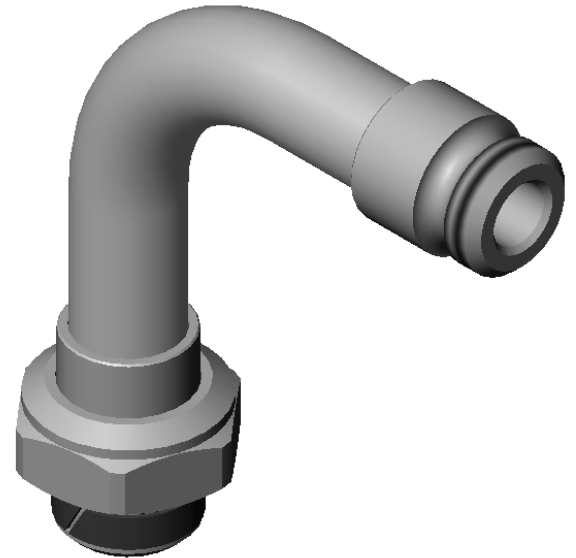
Item No.

REG. #A2601  
ISO #9001

Job Name:

Architect/Engineer Approval:

Notes:



Product Description:

**SWIVEL ADAPTER w/ 3/4"-14  
MALE HOSE OUTLET THREAD**

Drawn:

WJS

Checked:

LEL

Scale:

1:1

Approved:

JHB

Date:

5/31/2005