



T&S BRASS AND BRONZE WORKS, INC.

2 Saddleback Cove / P.O. Box 1088
Travelers Rest, SC 29690



REG. #A2601
ISO #9001

Model No.

OCS6

Item No.

Travelers Rest, SC: 800-476-4103 Simi Valley, CA: 800-423-0150 Fax: 864-834-3518 www.tsbrass.com

This Space for Architect/Engineer Approval

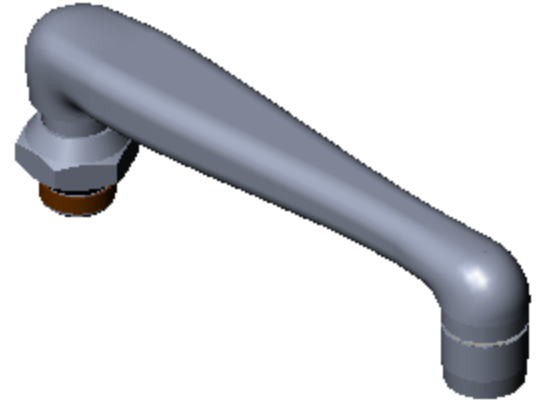
Job Name _____ Date _____

Model Specified _____ Quantity _____

Customer/Wholesaler _____

Contractor _____

Architect/Engineer _____



Variations or Applicable Options:
B-0199-21 Laminar Flow Outlet
B-0199-06 Vandal Resistant Aerator

Ø 1 1/8"
[28mm]

Ø 15/16"
[23mm]



2 5/16"
[59mm]

2.2 GPM Aerator

3/4"
[19mm]



Fits Standard T&S Swivel
Outlet Bodies such as
B-0230-LN

6"
[152mm]

Product Specifications:
6" Swivel Cast Spout, 2.2 GPM Aerator

Drawn
WJS

Checked
JRM

Approved
JHB

Scale:

1:2

Date:

12/04/06



T&S BRASS AND BRONZE WORKS, INC.

2 Saddleback Cove / P.O. Box 1088
Travelers Rest, SC 29690



REG. #A2601
ISO #9001

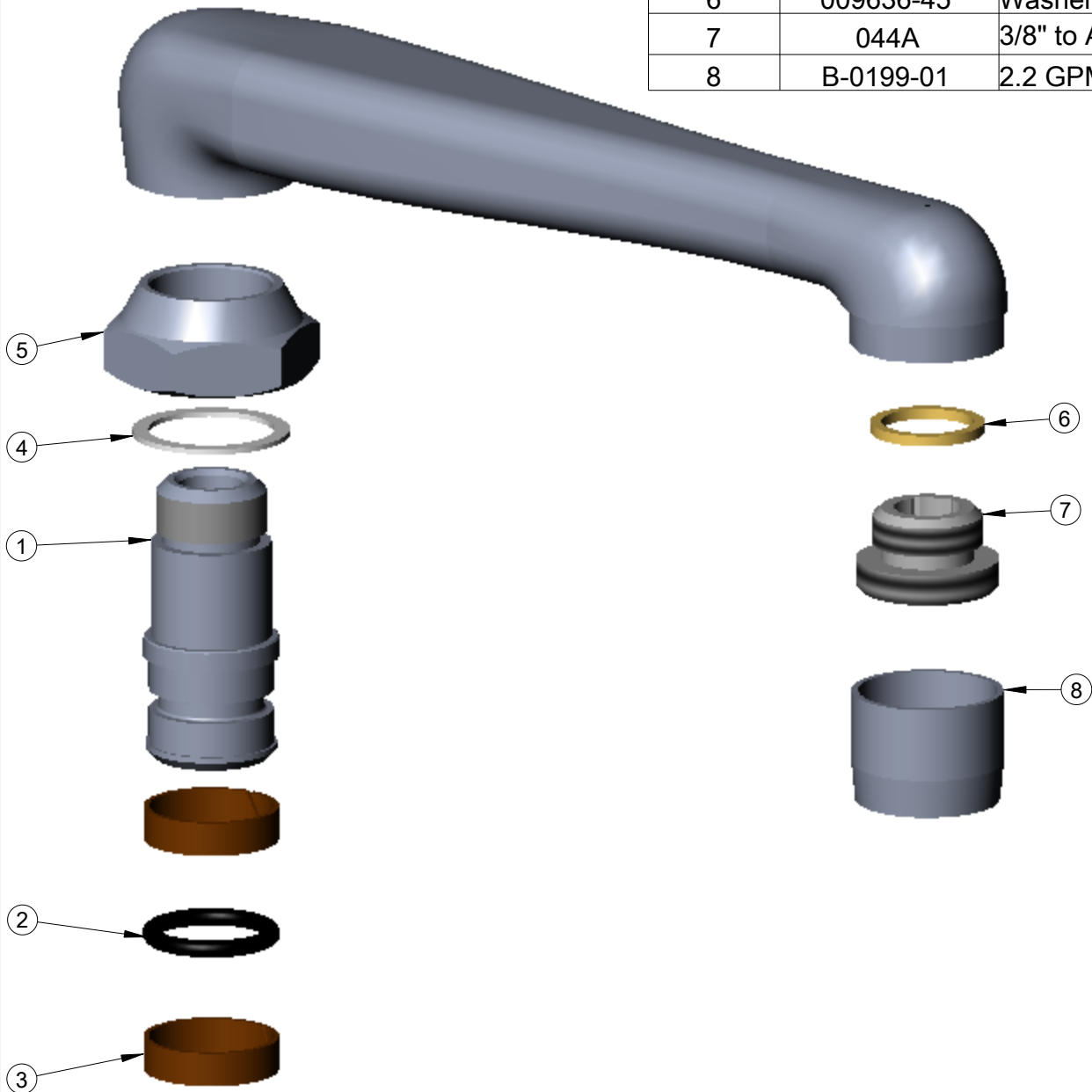
Model No.

OCS6

Item No.

Travelers Rest, SC: 800-476-4103 Simi Valley, CA: 800-423-0150 Fax: 864-834-3518 www.tsbrass.com

ITEM	PART NO.	DESCRIPTION
1	000843-25	Swivel Body
2	001074-45	O-Ring
3	011429-45	Swivel Sleeve
4	009647-45	Hex Cap Washer
5	000711-25	Swivel Nut
6	009636-45	Washer
7	044A	3/8" to Aer. Adapter
8	B-0199-01	2.2 GPM Aerator



Product Specifications:

6" Swivel Cast Spout, 2.2 GPM Aerator

Drawn
WJS

Checked
JRM

Approved
JHB

Scale:

1:1

Date:

12/04/06