



T&S BRASS AND BRONZE WORKS, INC.
 2 SADDLEBACK COVE / P.O. BOX 1088 / TRAVELERS REST, SC 29690
 PHONE 800-476-4103 FAX 864-834-3518



Model No.

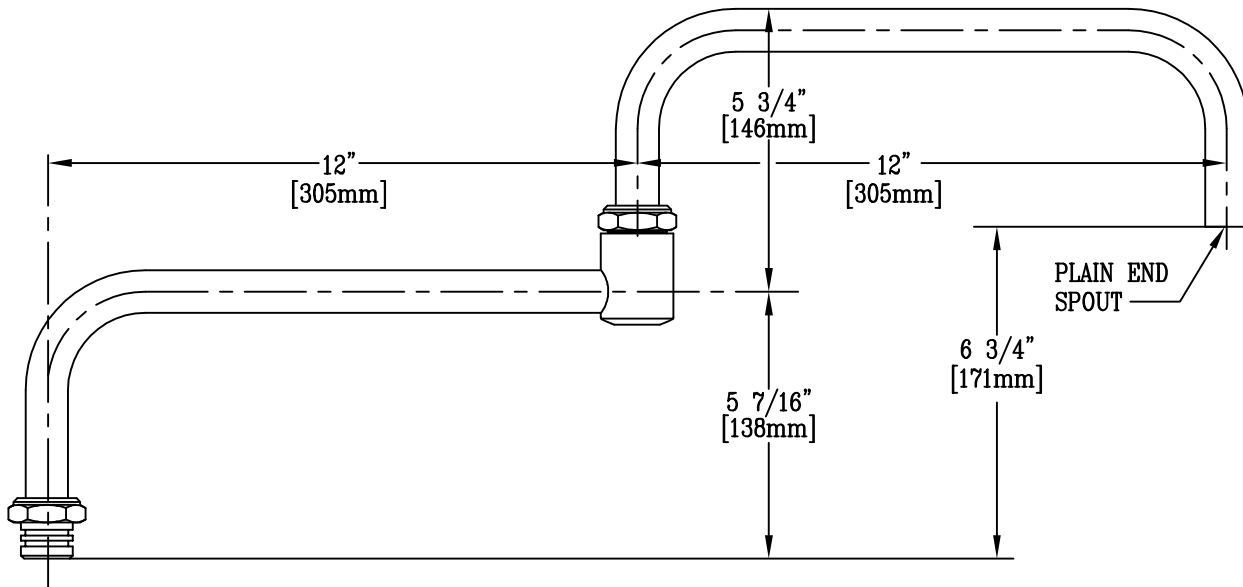
116X

Item No.:

Job Name:

Architect/Engineer Approval:

Notes:



Product Description:

24" DOUBLE JOINT SWING NOZZLE WITH PLAIN END
 FOR USE WITH B-0290 "BIG-FLO" STYLE FAUCETS

Drawn:

WJS

Approved

MVW

Checked

DMA

Scale:

1 : 4

Date:

4-6-98