

T&S BRASS AND BRONZE WORKS, INC.

2 SADDLEBACK COVE / P.O. BOX 1088 / TRAVELERS REST, SC 29690

PHONE 800-476-4103

FAX 864- 834-3518



REG.#A2601  
ISO #9002

Sales No.

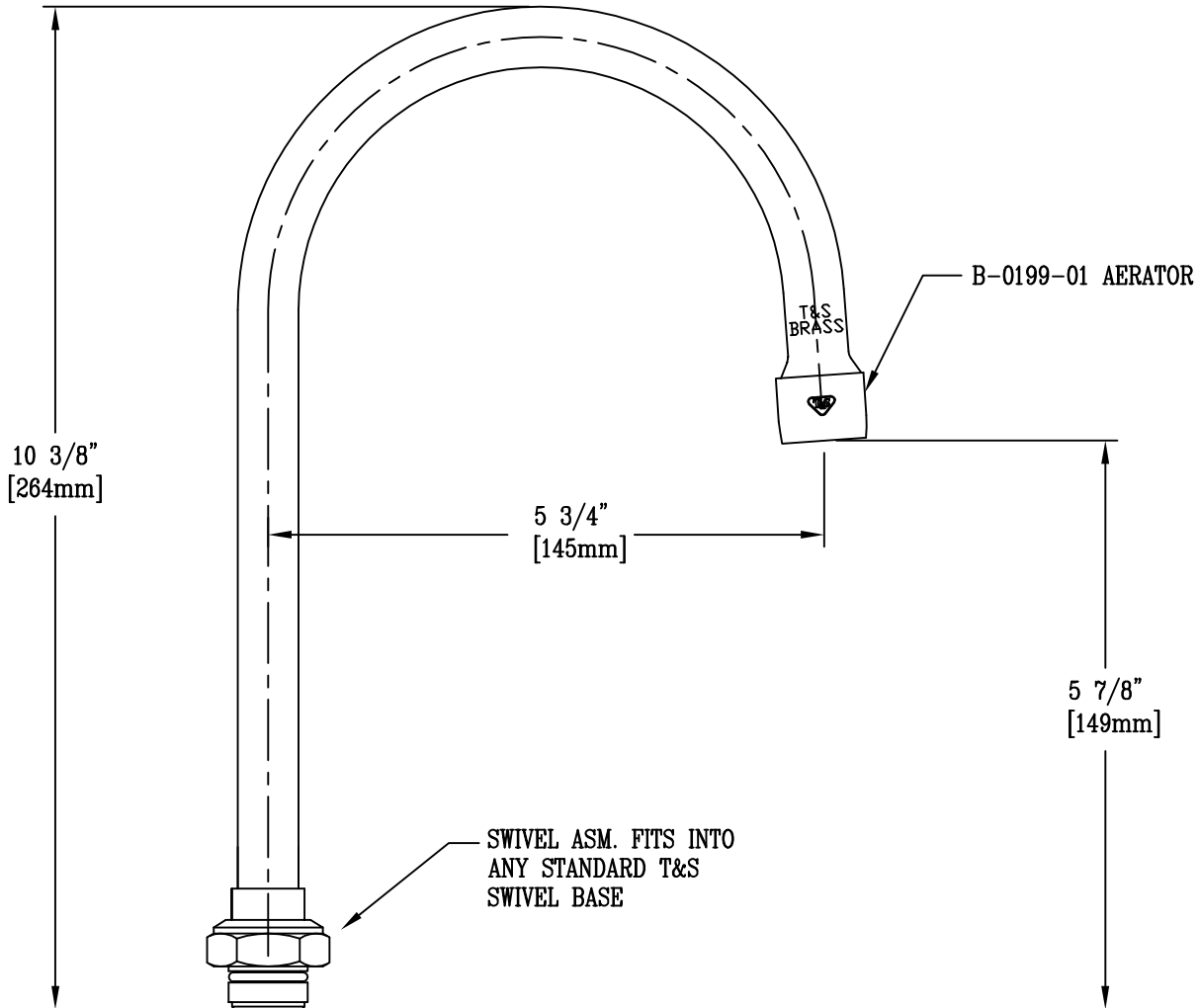
133X-AER

Item No.:

Job Name:

Architect/Engineer Approval:

Notes:



Product Description:

SWIVEL GOOSENECK w/ B-0199-01 AERATOR

Drawn:

WJS

Approved

MVW

Checked

JKD

Scale:

1 : 2

Date:

4/12/04