



T&S BRASS AND BRONZE WORKS, INC.
 2 SADDLEBACK COVE / P.O. BOX 1088 / TRAVELERS REST, SC 29690
 PHONE 800-476-4103 FAX 864- 834-3518



Model No.

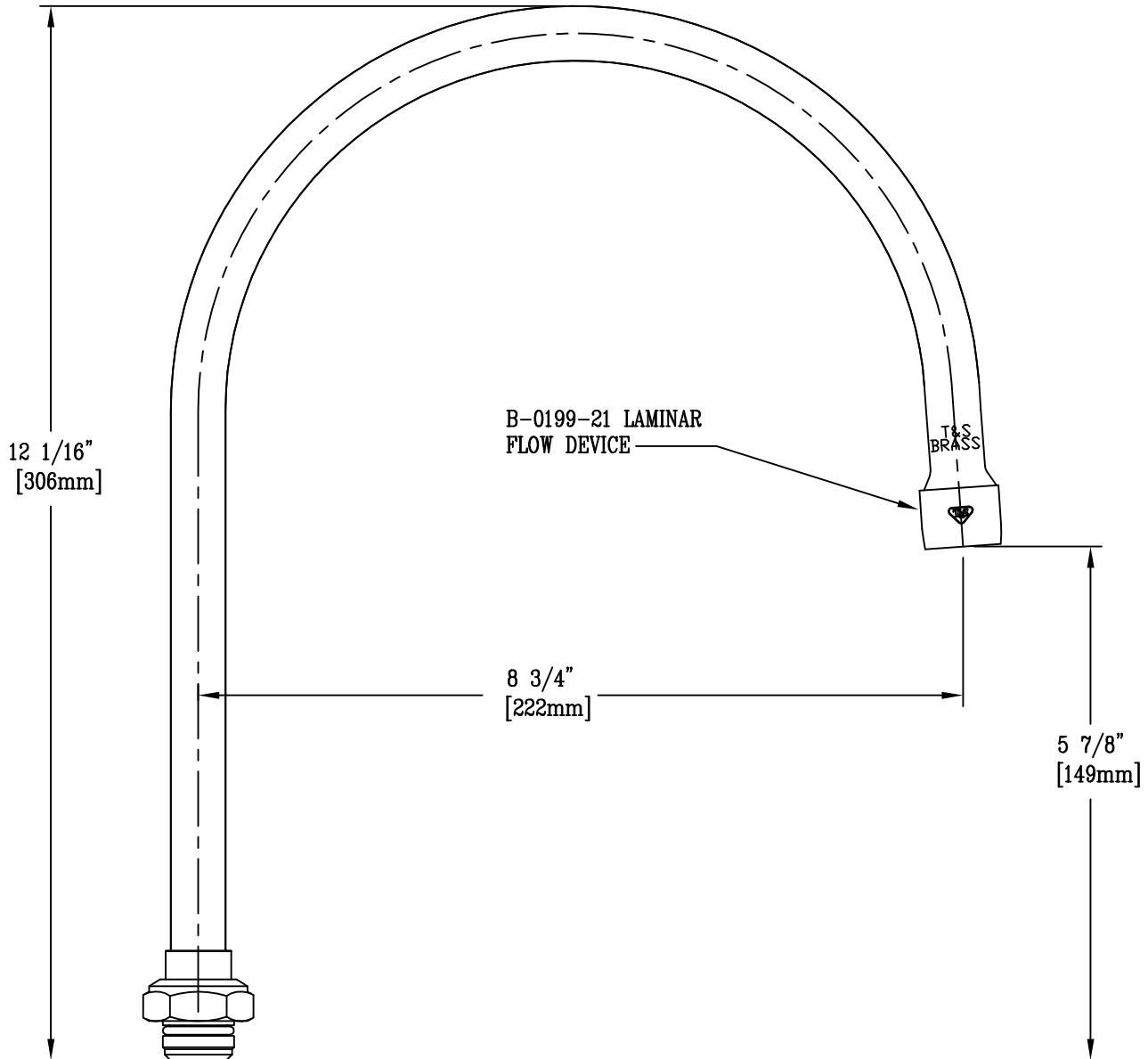
135X-LAM

Item No.:

Job Name:

Architect/Engineer Approval:

Notes:



Product Description:

135X SWIVEL GOOSENECK w/ B-0199-21 LAMINAR FLOW DEVICE

Drawn:

WJS

Approved

MVW

Checked

LEL

Scale:

1 : 4

Date:

04/10/03