



T&S BRASS AND BRONZE WORKS, INC.

2 SADDLEBACK COVE / P.O. BOX 1088 / TRAVELERS REST, SC 29690

PHONE 800-476-4103

FAX 864-834-3518



REG. #A2601
ISO #9002

Model No.

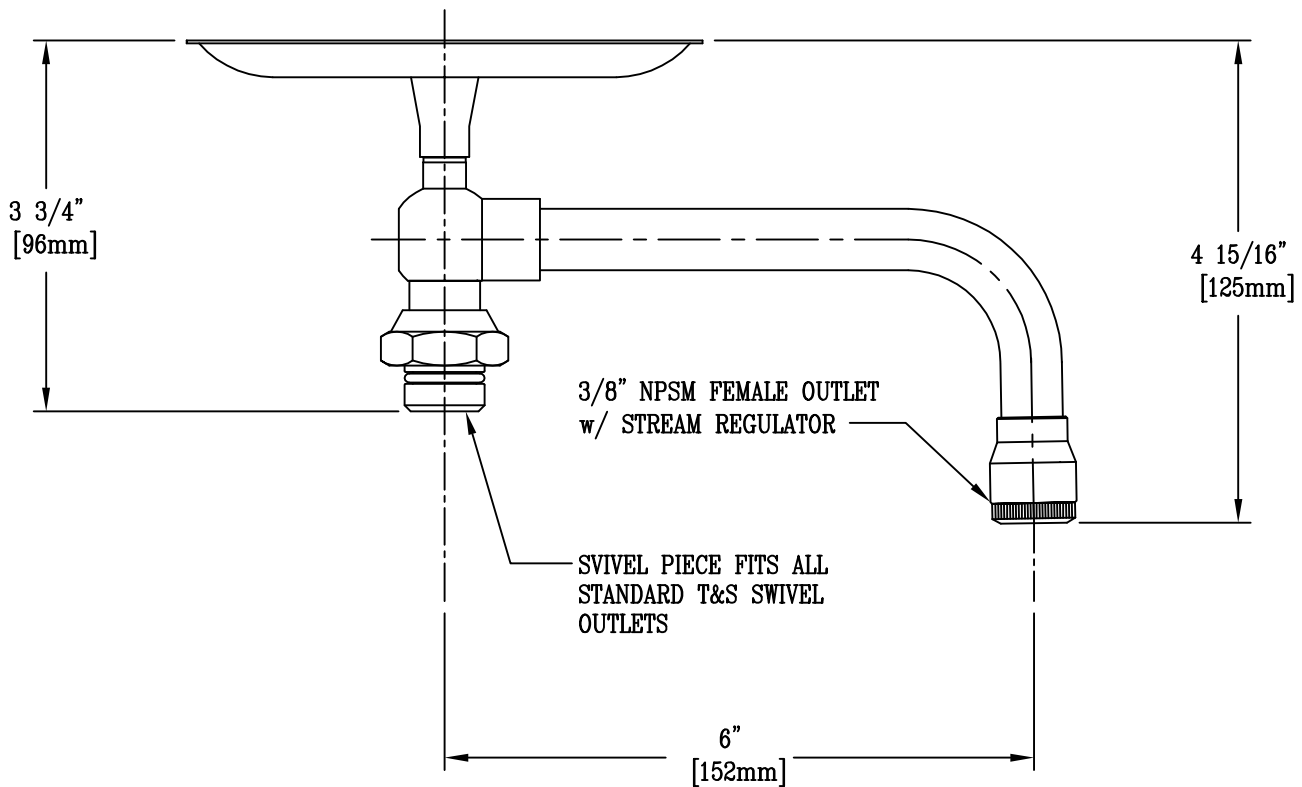
160X

Item No.:

Job Name:

Architect/Engineer Approval:

Notes:



Product Description:

6" SOAP DISH SWING NOZZLE ASM

Drawn:

WJS

Checked

MWR

Scale:

1 : 2

Approved

CA

Date:

1-19-96