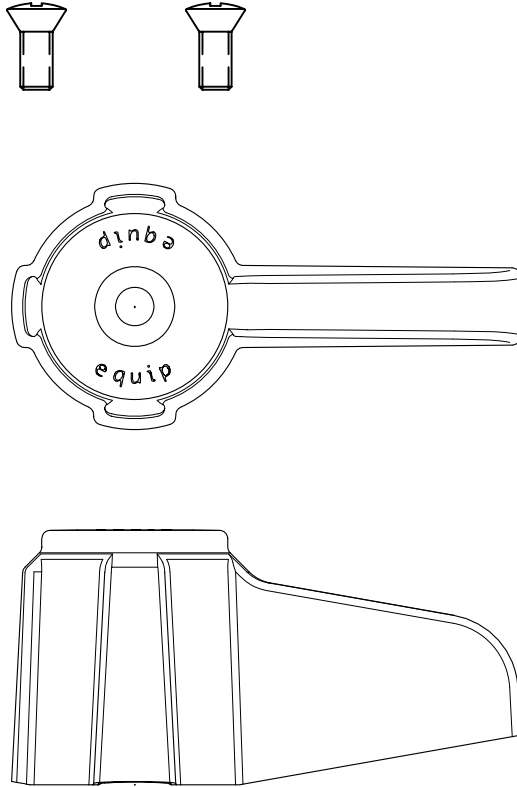


This Space For Architect/Engineer Approval

Job Name _____ Date _____
 Model Specified _____ Quantity _____
 Customer/Wholesaler _____
 Contractor _____
 Architect/Engineer _____



5-HDL-L INCLUDES:

- 1 EQUIP LEVER HANDLE
- 1 STAINLESS STEEL CSK SCREW, COLOR CODED (RED), M4 X 0.7-6g X 10MM LONG WITH SELF-LOCKING PATCH.
- 1 STAINLESS STEEL CSK SCREW, COLOR CODED (BLUE), M4 X 0.7-6g X 10MM LONG WITH SELF-LOCKING PATCH.

MODEL NUMBER 5-HDL-L	DATE 12/7/06	SCALE 1:1	DRAWN DHL	CHECKED WJS	APPROVED JHB
-------------------------	-----------------	--------------	--------------	----------------	-----------------



DESCRIPTION

EQUIP LEVER HANDLE KIT
 w/ (2) COLOR CODED SCREWS
 (1-RED & 1-BLUE)

equip Foodservice Accessories
 P.O. BOX 1088, 2 SADDLEBACK COVE
 TRAVELERS REST, SOUTH CAROLINA 29690
 PHONE: 800.891.4808 FAX: 800.868.0084