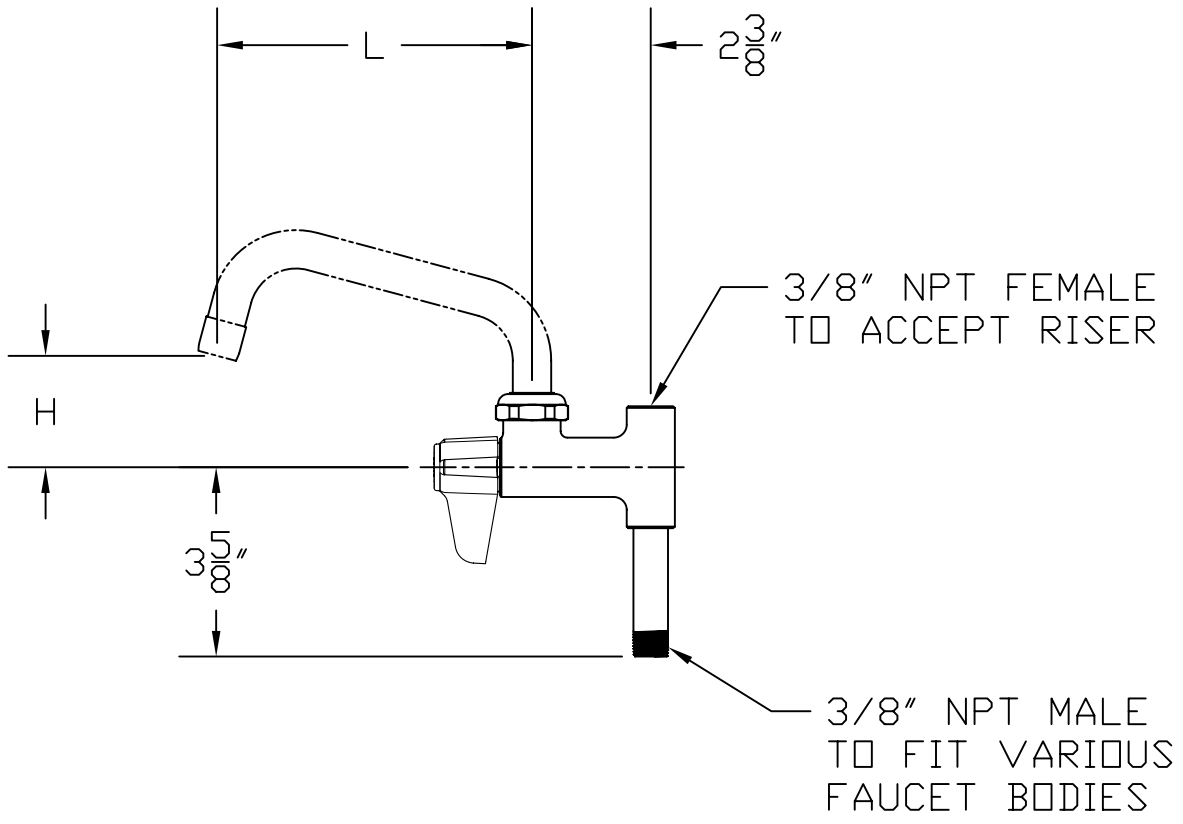


This Space For Architect/Engineer Approval
 Job Name _____ Date _____
 Model Specified _____ Quantity _____
 Customer/Wholesaler _____
 Contractor _____
 Architect/Engineer _____



DIMENSIONS ARE APPROXIMATE

MODEL NUMBER	DESCRIPTION	"H" (INCHES)	"L" (INCHES)
5AFL00	NO NOZZLE	N/A	N/A
5AFL06	6" NOZZLE	2 1/8	6 1/8
5AFL08	8" NOZZLE	2 5/8	8 1/8
5AFL10	10" NOZZLE	3 1/8	10 1/8
5AFL12	12" NOZZLE	3 3/4	12 1/8
5AFL14	14" NOZZLE	4 1/4	14 1/8
5AFL18	18" NOZZLE	5 3/8	18 1/8

MODEL NUMBER SEE CHART	DATE 3/21/06	SCALE 1:4	DRAWN DHL	CHECKED WJS	APPROVED JHB
---------------------------	-----------------	--------------	--------------	----------------	-----------------



DESCRIPTION
 ADD-ON FAUCETS, WITH 6", 8", 10", 12", 14" OR 18" SWING NOZZLE, ALSO AVAILABLE WITH NO NOZZLE

equip Foodservice Accessories
 P.O. BOX 1088, 2 SADDLEBACK COVE
 TRAVELERS REST, SOUTH CAROLINA 29690
 PHONE: 800.891.4808 FAX: 800.868.0084