

This Space For Architect/Engineer Approval

Job Name _____ Date _____

Model Specified _____ Quantity _____

Customer/Wholesaler _____

Contractor _____

Architect/Engineer _____

FURNISHED w/ RIGID GOOSENECK AND 2.2 GPM AERATOR. REMOVE LOCK WASHER BELOW SWIVEL PIECE TO CONVERT TO SWIVEL ACTION

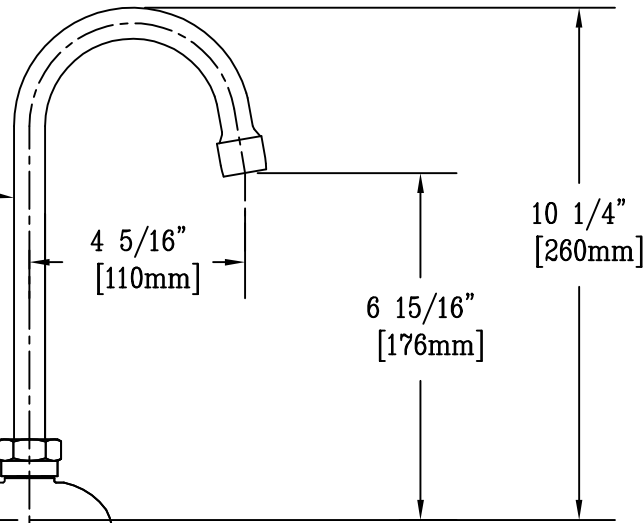
REQUIRES 1" DIA. MOUNTING HOLE

1" [25mm]

FURNISHED w/ SHORT EL. FOR RESTRICTED SPACE INSTALLATIONS

FURNISHED w/ 18" LONG FLEXIBLE ST. STEEL HOSE BETWEEN SHANK & CONTROL MODULE

REMOVABLE STRAINER



3 5/8" x 4 3/16" x 2" DEEP CONTROL MODULE BOX. AC or DC OPERATED w/ (4) AA BATTERIES

24" SENSOR CABLE

84" LONG POWER CORD w/ 100-240 VAC ADAPTER

MIXING FITTING

(2) 18" FLEX. ST. STEEL SUPPLY HOSES: 1/2" NPSM FE. x 3/8" COMPRESSION FEMALE

NOTE: SUPPLY STOPS BY OTHERS

MODEL NUMBER 5EF-1D-WGMM	DATE 06/02/06	SCALE 1:4	DRAWN WJS	CHECKED JHB	APPROVED JHB
-----------------------------	------------------	--------------	--------------	----------------	-----------------



equip Foodservice Accessories
P.O. BOX 1088, 2 SADDLEBACK COVE
TRAVELERS REST, SOUTH CAROLINA 29690
PHONE: 800.891.4808 FAX: 800.868.0084

DESCRIPTION

ELECTRONIC FAUCET: WALL MOUNT RIGID GOOSENECK w/ AERATOR, AC-DC CONTROL MODULE, TEMPERATURE CONTROL MIXING VALVE, AND 18" LONG HOT & COLD FLEX SUPPLY STOP HOSES