

This Space For Architect/Engineer Approval

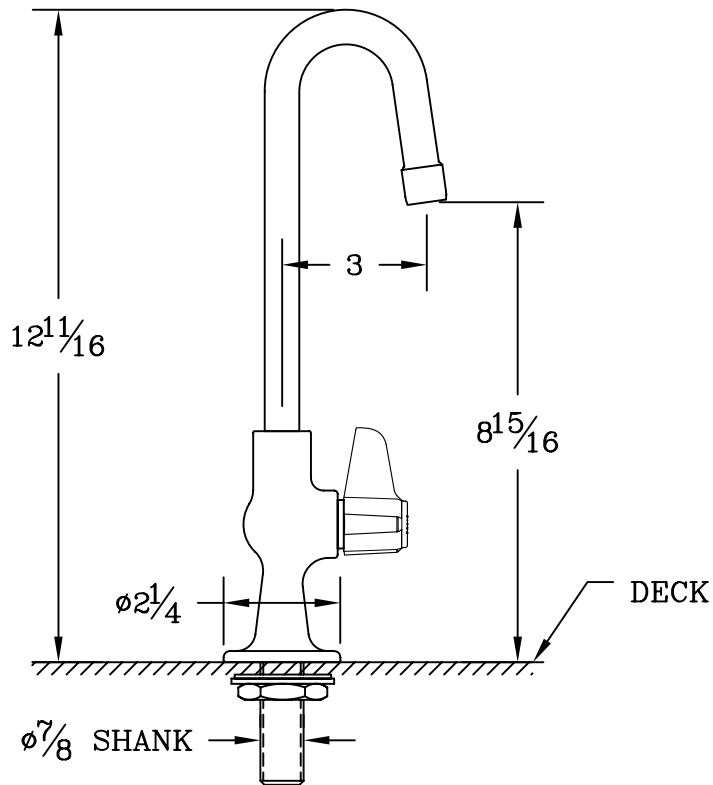
Job Name _____ Date _____

Model Specified _____ Quantity _____

Customer/Wholesaler _____

Contractor _____

Architect/Engineer _____



DIMENSIONS ARE APPROXIMATE

MODEL NUMBER 5F-1SLX03

DATE 3/21/06

SCALE 1:4

DRAWN DHL

CHECKED WJS

APPROVED JHB



DESCRIPTION

SINGLE SUPPLY DECK MOUNT FAUCET WITH 3" RIGID GOOSENECK

equip Foodservice Accessories
 P.O. BOX 1088, 2 SADDLEBACK COVE
 TRAVELERS REST, SOUTH CAROLINA 29690
 PHONE: 800.891.4808 FAX: 800.868.0084