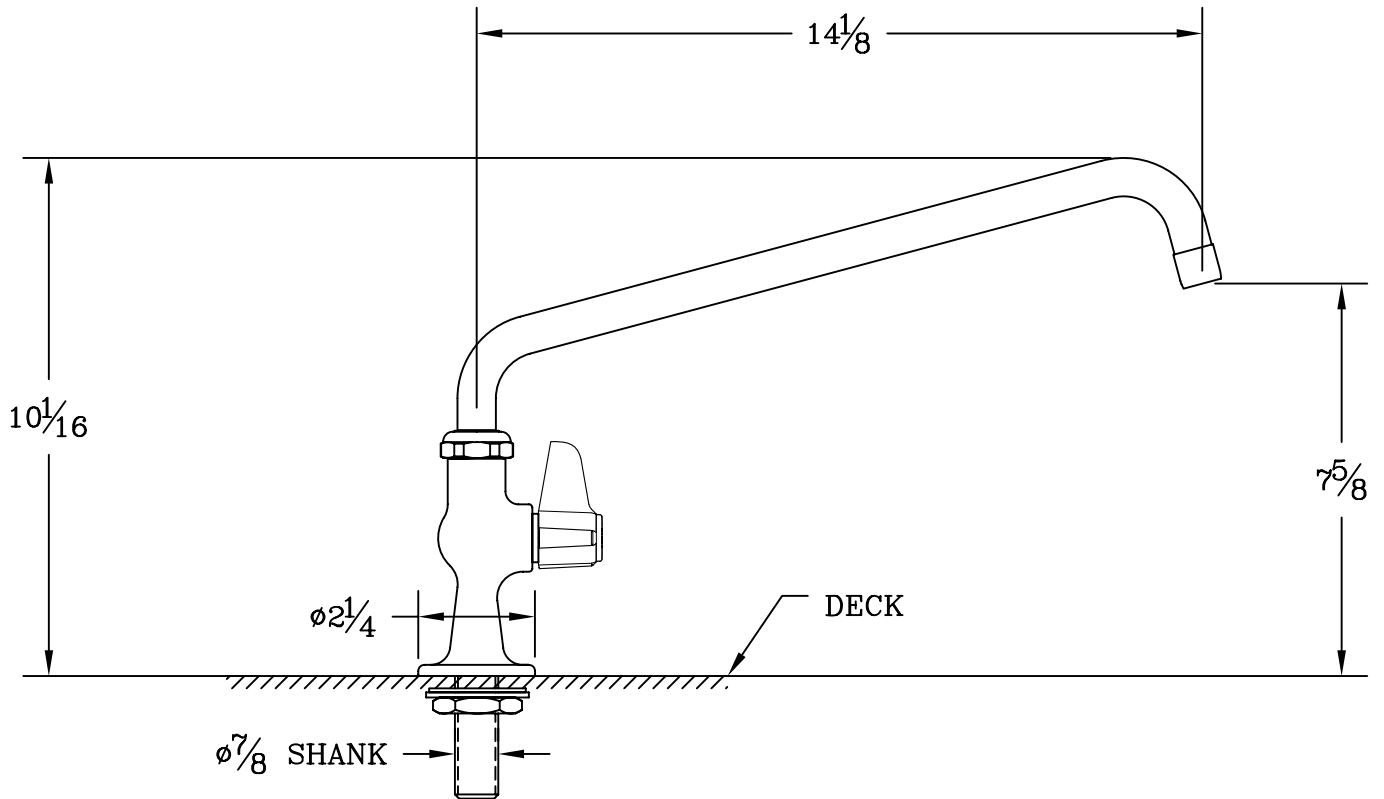


This Space For Architect/Engineer Approval  
 Job Name \_\_\_\_\_ Date \_\_\_\_\_  
 Model Specified \_\_\_\_\_ Quantity \_\_\_\_\_  
 Customer/Wholesaler \_\_\_\_\_  
 Contractor \_\_\_\_\_  
 Architect/Engineer \_\_\_\_\_



DIMENSIONS ARE APPROXIMATE

|                           |                 |              |              |                |                 |
|---------------------------|-----------------|--------------|--------------|----------------|-----------------|
| MODEL NUMBER<br>5F-1SLX14 | DATE<br>3/21/06 | SCALE<br>1:4 | DRAWN<br>DHL | CHECKED<br>WJS | APPROVED<br>JHB |
|---------------------------|-----------------|--------------|--------------|----------------|-----------------|



DESCRIPTION

SIINGLE SUPPLY DECK MOUNT  
 FAUCET WITH 14" SWING NOZZLE

equip Foodservice Accessories  
 P.O. BOX 1088, 2 SADDLEBACK COVE  
 TRAVELERS REST, SOUTH CAROLINA 29690  
 PHONE: 800.891.4808 FAX: 800.868.0084