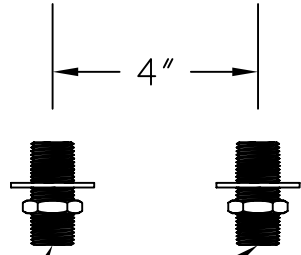
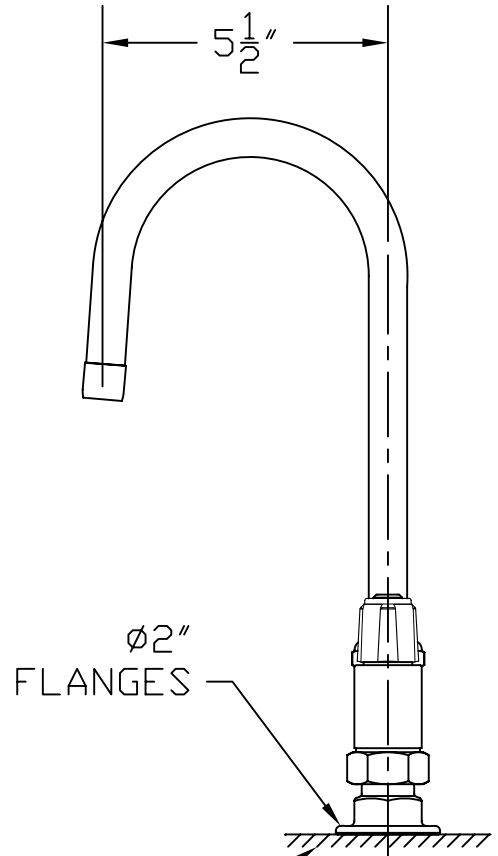
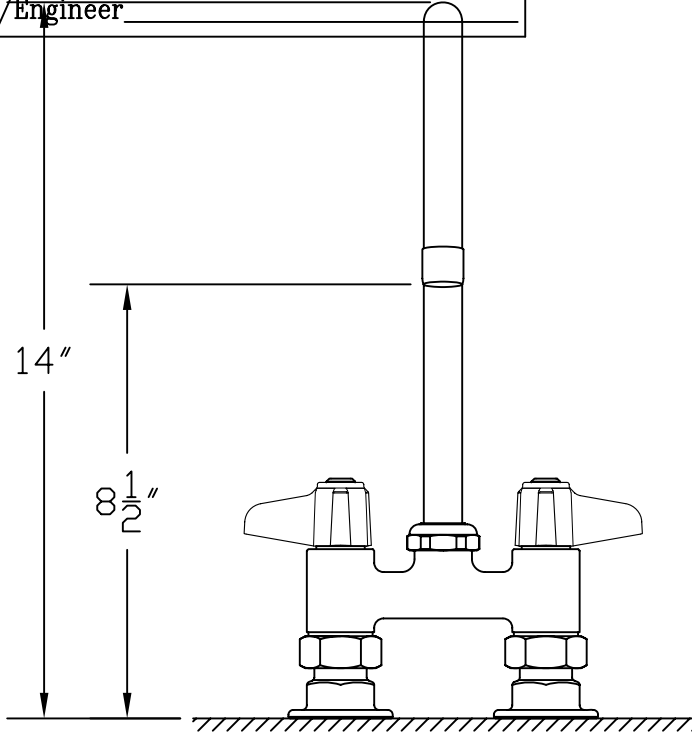


This Space For Architect/Engineer Approval

Job Name \_\_\_\_\_ Date \_\_\_\_\_  
 Model Specified \_\_\_\_\_ Quantity \_\_\_\_\_  
 Customer/Wholesaler \_\_\_\_\_  
 Contractor \_\_\_\_\_  
 Architect/Engineer \_\_\_\_\_



014046-40 INLET KIT  
 AVAILABLE SEPARATELY

"DECK", REQUIRES  
 Ø7/8" HOLES  
 ON 4" CENTER

DIMENSIONS ARE APPROXIMATE

MODEL NUMBER 5F-4DLX05	DATE 3/21/06	SCALE 1:4	DRAWN DHL	CHECKED WJS	APPROVED JHB
---------------------------	-----------------	--------------	--------------	----------------	-----------------



DESCRIPTION  
 4" DECK MOUNT FAUCET  
 WITH 5 1/2" SWIVEL NOZZLE

equip Foodservice Accessories  
 P.O. BOX 1088, 2 SADDLEBACK COVE  
 TRAVELERS REST, SOUTH CAROLINA 29690  
 PHONE: 800.891.4808 FAX: 800.868.0084