

This Space For Architect/Engineer Approval

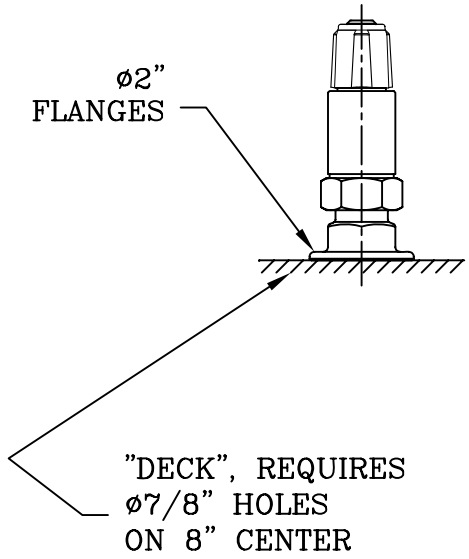
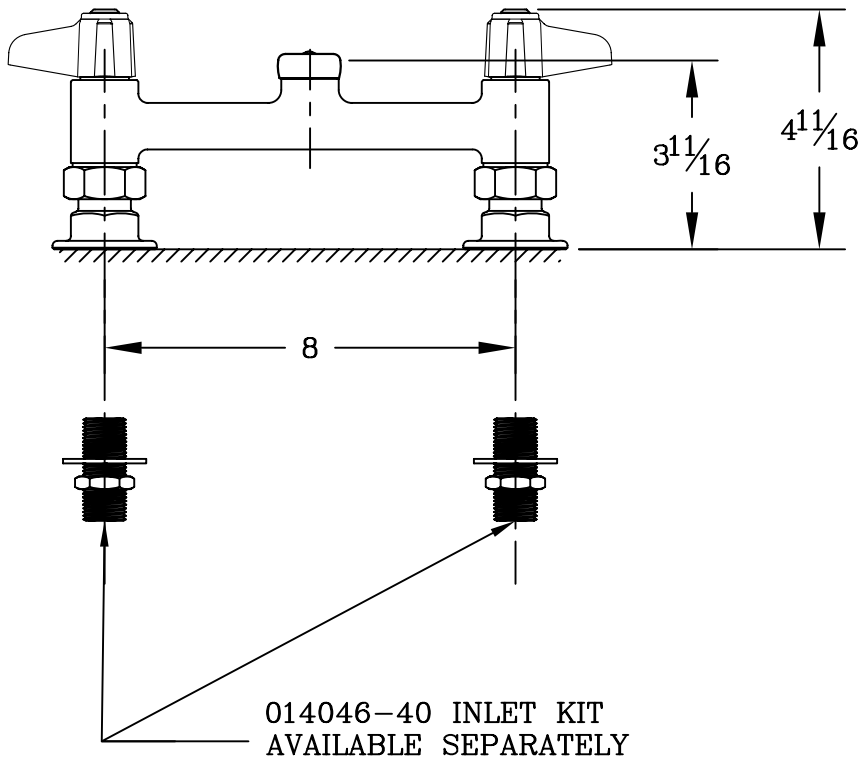
Job Name _____ Date _____

Model Specified _____ Quantity _____

Customer/Wholesaler _____

Contractor _____

Architect/Engineer _____



DIMENSIONS ARE APPROXIMATE

MODEL NUMBER	5F-8DLX00	DATE	3/21/06	SCALE	1:4	DRAWN	DHL	CHECKED	WJS	APPROVED	JHB
--------------	-----------	------	---------	-------	-----	-------	-----	---------	-----	----------	-----



DESCRIPTION

8" DECK MOUNT FAUCET
WITHOUT NOZZLE - SWIVEL BASE

equip Foodservice Accessories
P.O. BOX 1088, 2 SADDLEBACK COVE
TRAVELERS REST, SOUTH CAROLINA 29690
PHONE: 800.891.4808 FAX: 800.868.0084