

This Space For Architect/Engineer Approval

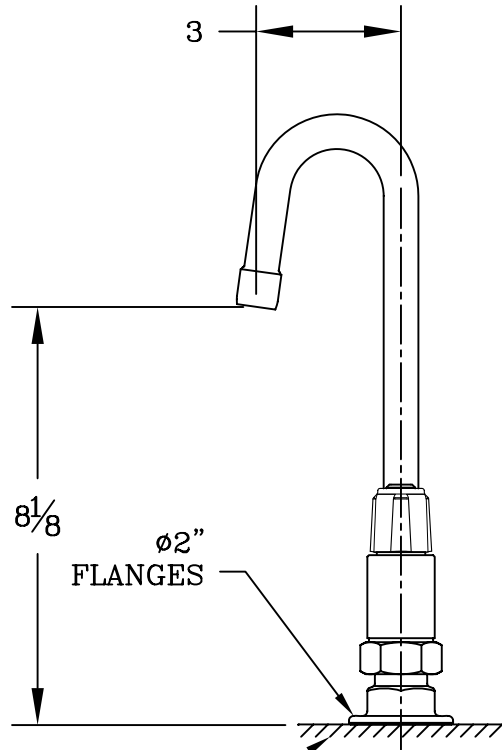
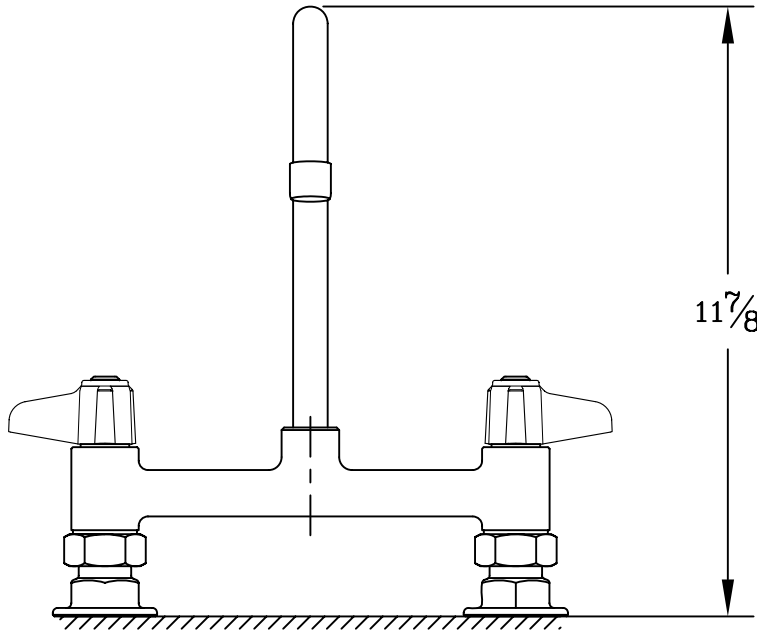
Job Name _____ Date _____

Model Specified _____ Quantity _____

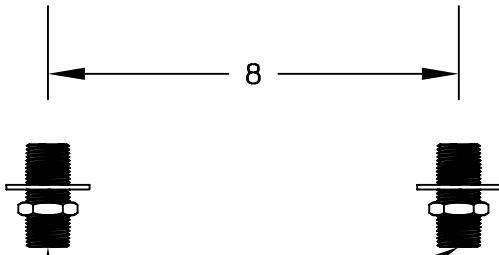
Customer/Wholesaler _____

Contractor _____

Architect/Engineer _____



"DECK", REQUIRES
ø7/8" HOLES
ON 8" CENTER



014046-40 INLET KIT
AVAILABLE SEPARATELY

DIMENSIONS ARE APPROXIMATE

MODEL NUMBER	5F-8DLX03	DATE	3/21/06	SCALE	1:4	DRAWN	DHL	CHECKED	WJS	APPROVED	JHB
--------------	-----------	------	---------	-------	-----	-------	-----	---------	-----	----------	-----



DESCRIPTION

8" DECK MOUNT FAUCET
WITH 3" RIGID GOOSENECK

equip Foodservice Accessories
P.O. BOX 1088, 2 SADDLEBACK COVE
TRAVELERS REST, SOUTH CAROLINA 29690
PHONE: 800.891.4808 FAX: 800.868.0084