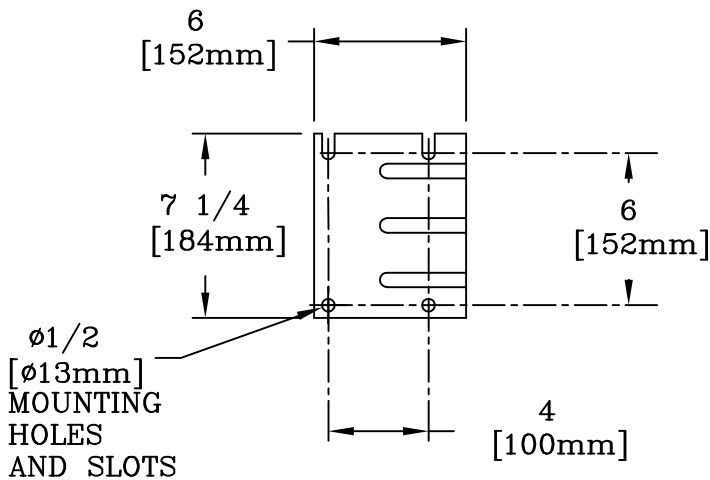
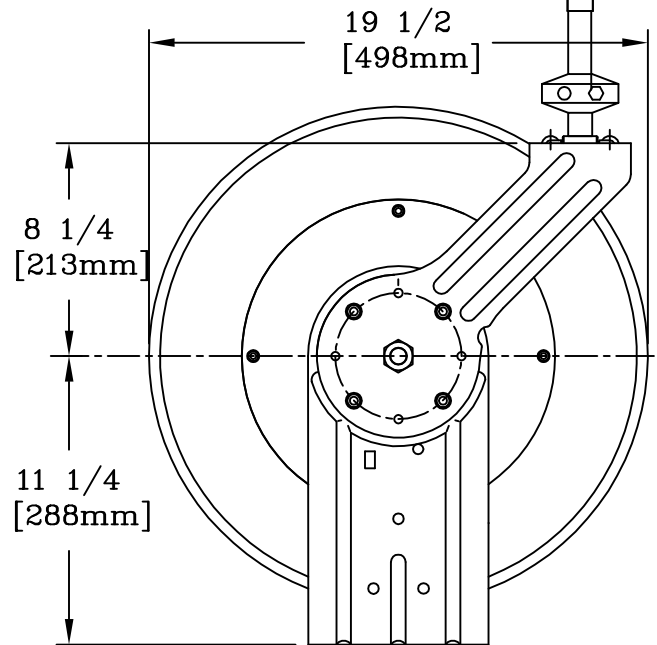
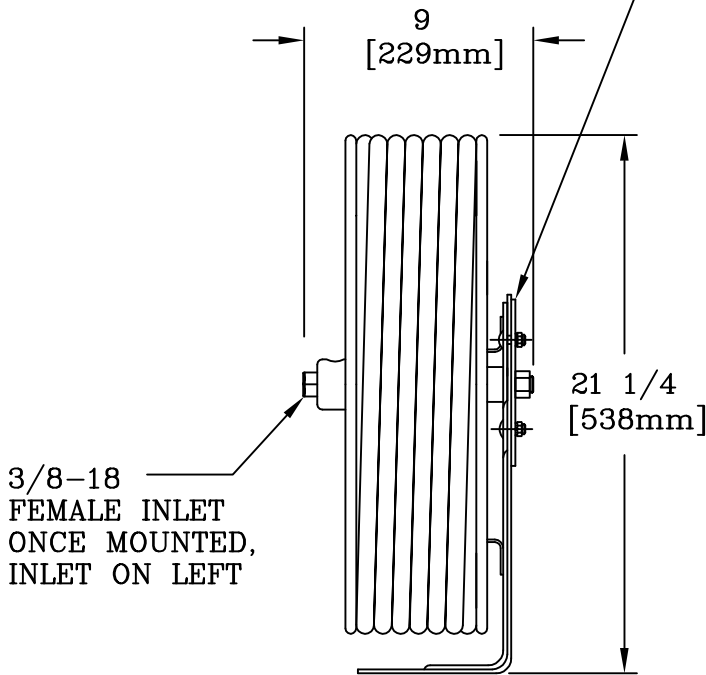


HOSE GUIDE NOT SHOWN FOR CLARITY

5WG-1001-01 WATER GUN w/ 3/8" NPT MALE x GARDEN HOSE MALE ADAPTER



NOTE: HOSE RATINGS ARE AS FOLLOWS:  
 PRESSURE: 300 PSI MAX.  
 TEMPERATURE: 0°-176°F

FURNISHED w/ FEMALE GARDEN HOSE QUICK-DISCONENCT. INCLUDES 3/8" NPT FEMALE & 1/2" NPSM FEMALE ADAPTERS

MODEL NUMBER	5HR-242-09	DATE	07/15/05	SCALE	1:8	DRAWING SIZE	A	DRAWN	JRM	CHECKED	LEL	APPROVED	JHB
--------------	------------	------	----------	-------	-----	--------------	---	-------	-----	---------	-----	----------	-----



Foodservice Accessories

DESCRIPTION OPEN HOSE REEL, POWDER COATED STEEL, WITH 50' OF 3/8" DIA. HOSE AND 5WG-1001-01 WATER GUN

equip Foodservice Accessories  
 P.O. BOX 1088, 2 SADDLEBACK COVE  
 TRAVELERS REST, SOUTH CAROLINA 29690  
 PHONE: 800.891.4808 FAX: 800.868.0084

