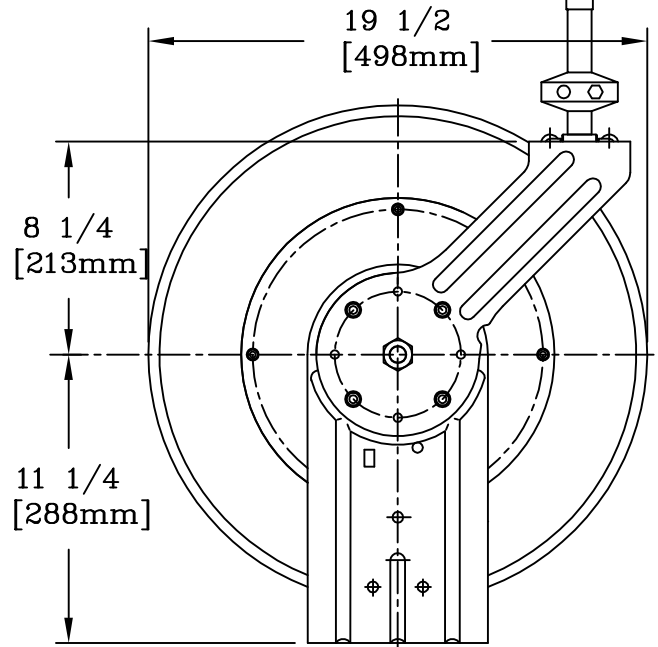
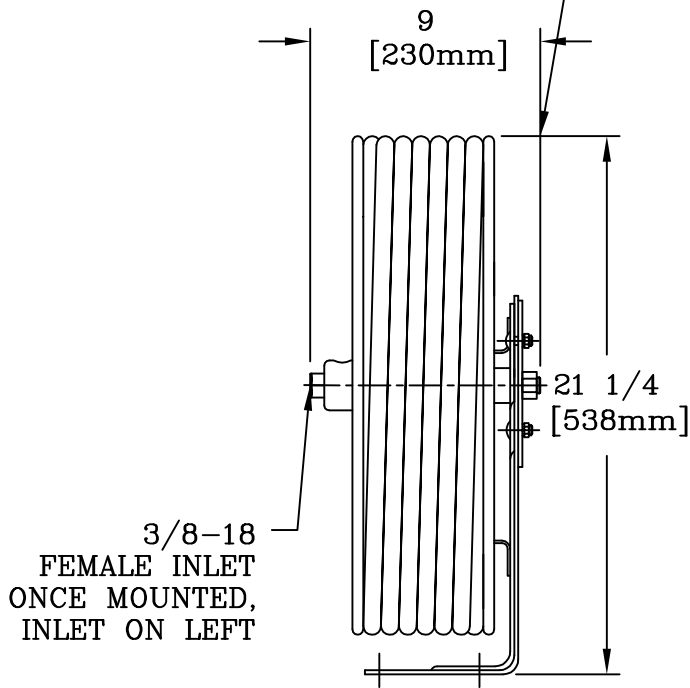
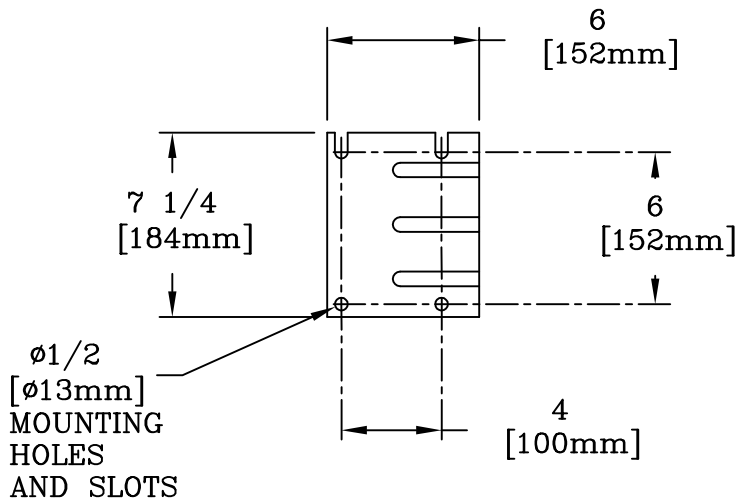


HOSE GUIDE NOT SHOWN FOR CLARITY

3/8-18 NPT MALE OUTLET



NOTE: HOSE RATINGS ARE AS FOLLOWS:
 PRESSURE: 300 PSI MAX.
 TEMPERATURE: 0°-176°F



PRIMARY DIMENSIONS IN INCHES UNLESS SPECIFIED OTHERWISE.

MODEL NUMBER	5HR-242	DATE	07/15/05	SCALE	1:8	DRAWING SIZE	A	DRAWN	JRM	CHECKED	LEL	APPROVED	JHB
--------------	---------	------	----------	-------	-----	--------------	---	-------	-----	---------	-----	----------	-----



DESCRIPTION OPEN HOSE REEL, POWDER COATED STEEL, WITH 50' OF 3/8" DIA. HOSE

equip Foodservice Accessories
 P.O. BOX 1088, 2 SADDLEBACK COVE
 TRAVELERS REST, SOUTH CAROLINA 29690
 PHONE: 800.891.4808 FAX: 800.868.0084