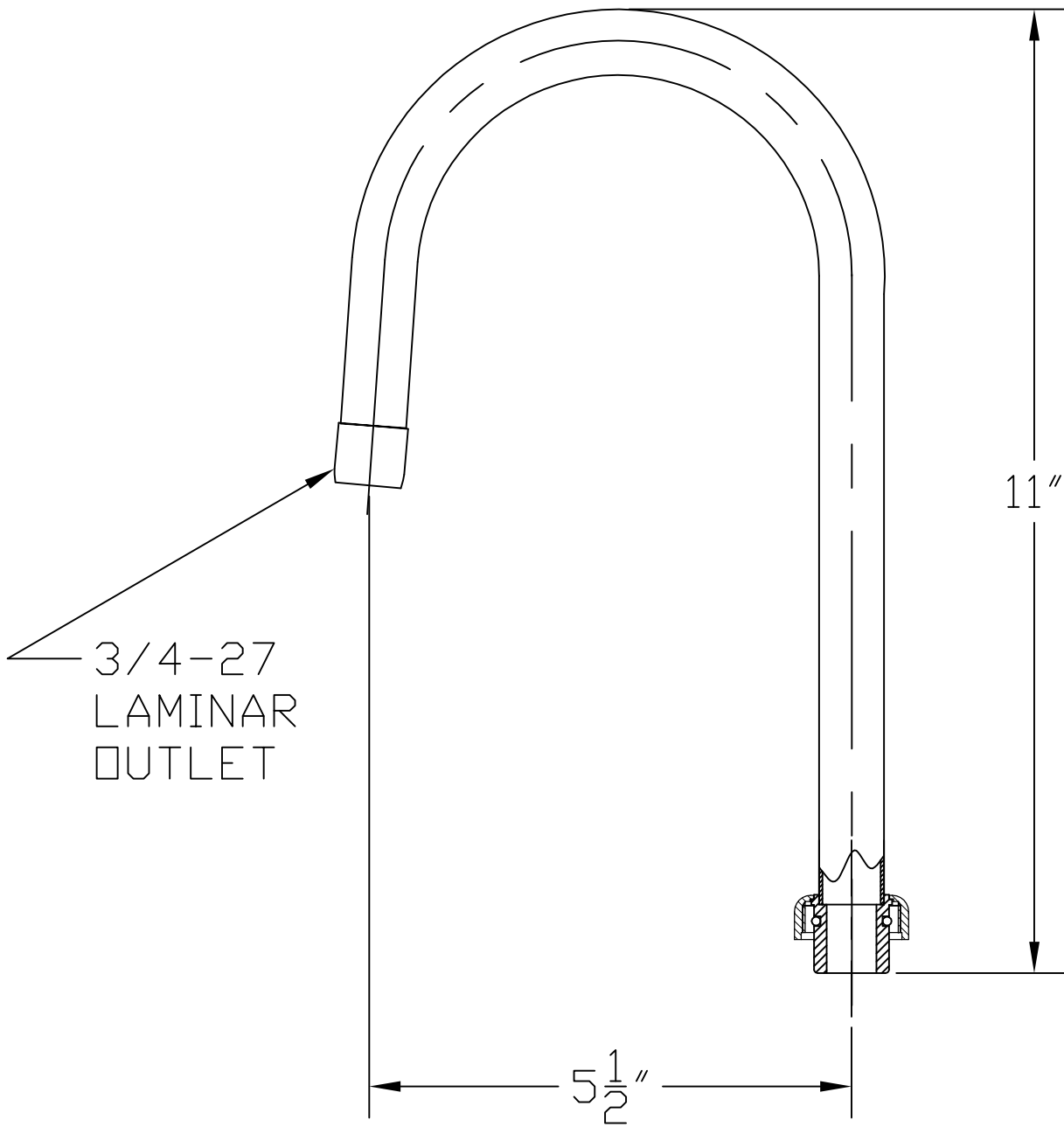


INCHES

1

2

3



MODEL NUMBER 5SP-05	DATE 11/09/04	SCALE 1:2	DRAWING SIZE A	DRAWN MVW 10/24/02	CHECKED WJS	APPROVED MVW
-------------------------------	-------------------------	---------------------	--------------------------	------------------------------	-----------------------	------------------------

equip Foodservice Accessories

DESCRIPTION
5 1/2" SWIVEL GOOSENECK, EQUIP

equip Foodservice Accessories  REG.#A2601 ISO #9001

P.O. BOX 1088, 2 SADDLEBACK COVE
TRAVELERS REST, SOUTH CAROLINA 29690
PHONE: 800.891.4808 FAX: 800.868.0084