

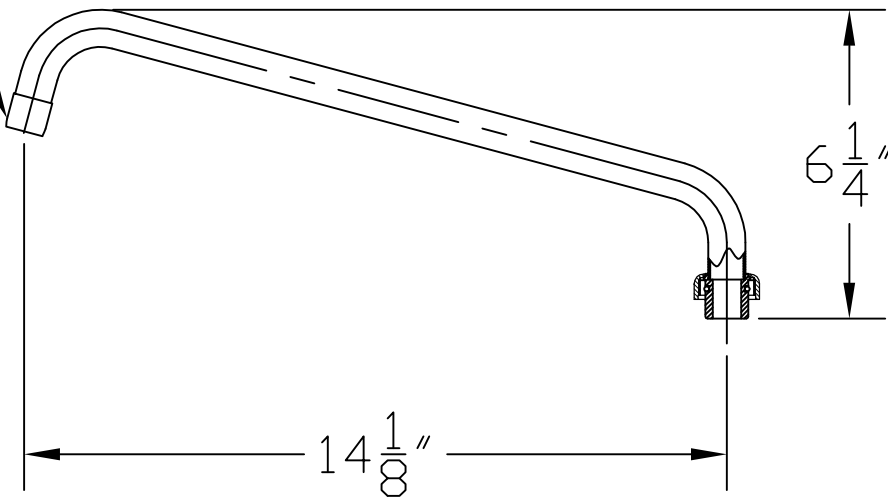
INCHES

1

2

3

3/4-27 LAMINAR
OUTLET



MODEL NUMBER

5SP-14

DATE

11/9/04

SCALE

1:4

DRAWING SIZE

A

DRAWN

MVW 10/24/02

CHECKED

WJS

APPROVED

MVW



DESCRIPTION

14" SWING NOZZLE, EQUIP

equip Foodservice Accessories



P.O. BOX 1088, 2 SADDLEBACK COVE
TRAVELERS REST, SOUTH CAROLINA 29690
PHONE: 800.891.4808 FAX: 800.868.0084