



T&S BRASS AND BRONZE WORKS, INC.
 2 SADDLEBACK COVE / P.O. BOX 1088 / TRAVELERS REST, SC 29690
 PHONE 800-476-4103 FAX 864- 834-3518



Model No.

B-0044-H3

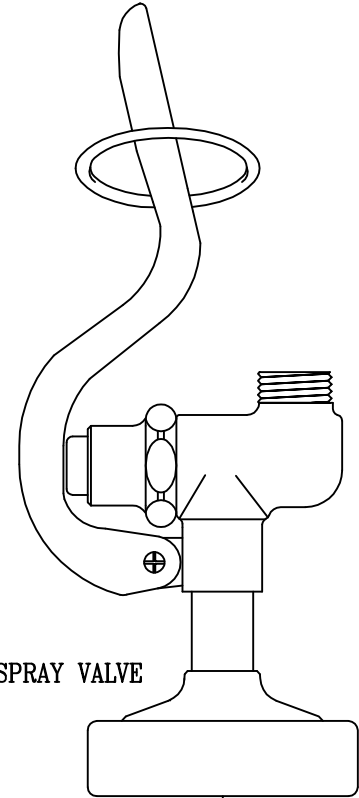
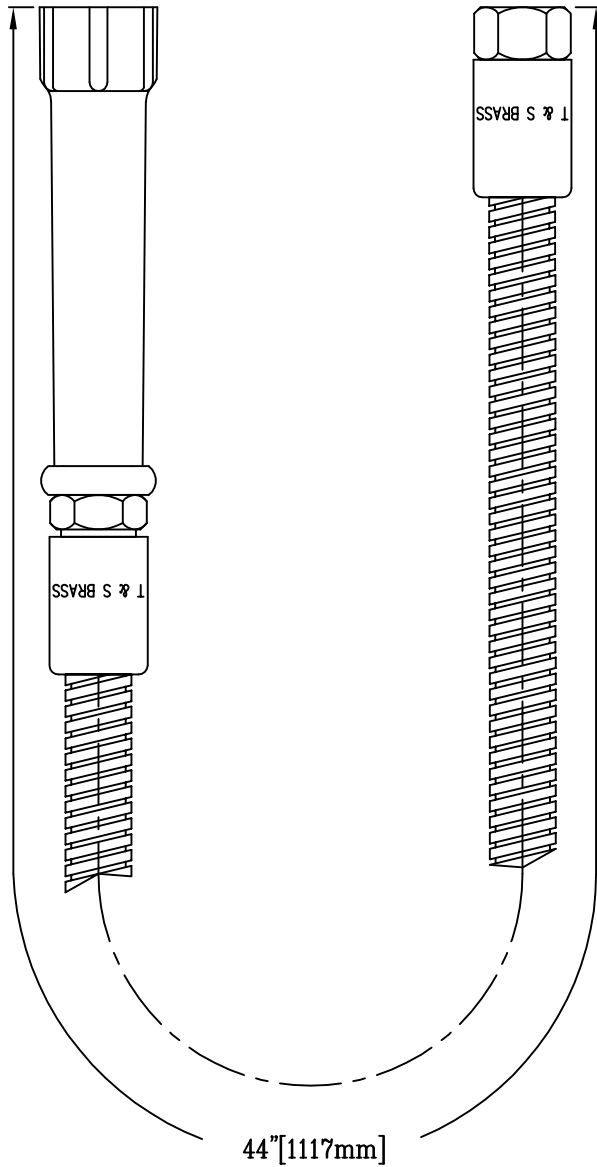
Item No.:

Job Name:

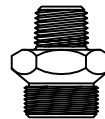
Architect/Engineer Approval:

Notes:

EPAct2005 COMPLIANT



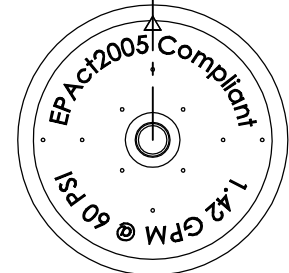
B-0107 SPRAY VALVE



172A ADAPTER:
 1/4" NPT MALE
 x 3/4"-14 MALE



053A ADAPTER:
 3/8" NPT MALE
 x 3/4"-14 MALE



Product Description:

B-0044-H HOSE w/ 053A, 172A & B-0107 SPRAY

Drawn:

RJK

Approved

JHB

Checked:

JRM

Scale:

1 : 2

Date:

01/04/06