



T&S BRASS AND BRONZE WORKS, INC.
 2 SADDLEBACK COVE / P.O. BOX 1088 / TRAVELERS REST, SC 29690
 PHONE 800-476-4103 FAX 864-834-3518



Model No.

B-0100-08C

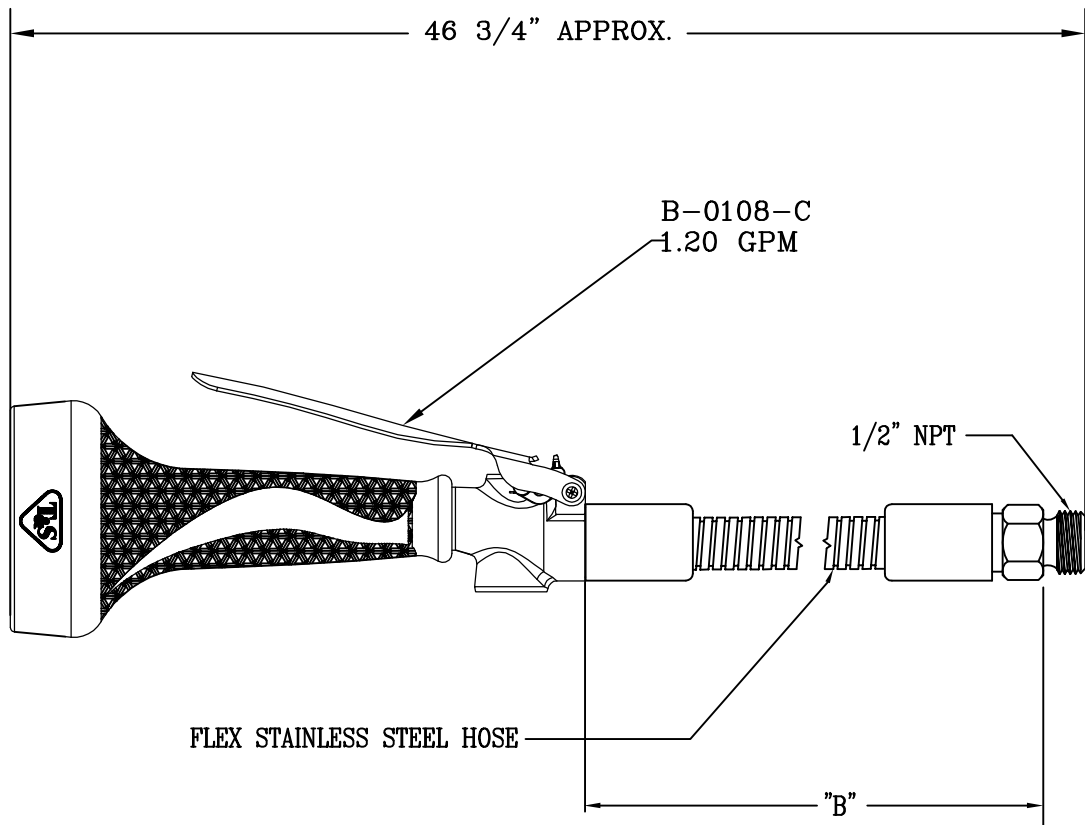
Item No.:

Job Name:

Architect/Engineer Approval:

Notes:

EPA Act 2005 COMPLIANT



NOTE: "B" STANDARD LENGTH IS 38 1/2"
 ANY LENGTH IS AVAILABLE

Product Description:

PRE-RINSE UNIT

Drawn:

JRM

Approved

JHB

Checked

WJS

Scale:

NTS

Date:

8/9/06