



T&S BRASS AND BRONZE WORKS, INC.

2 SADDLEBACK COVE / P.O. BOX 1088 / TRAVELERS REST, SC 29690

PHONE 800-476-4103

FAX 864- 834-3518



REG.#A2601
ISO #9002

Model No.

B-0102-A

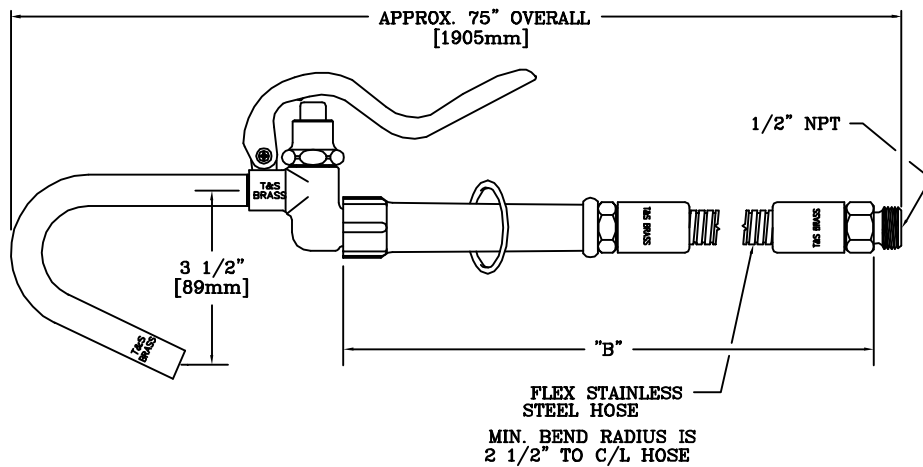
Item No.:

Job Name:

Architect/Engineer Approval:

Notes:

SEE SPEC. DWG. NO. B-0104
FOR MOUNTING ACCESSORIES



NOTE: "B" STANDARD HOSE UNIT IS 66"[1727mm]
ANY LENGTH IS AVAILABLE
FURNISHED W/ 1/2" MALE INLET NPT ADAPTER.
ALSO AVAILABLE W/ 3/8", 1/2" OR 3/4" NPT MALE
OR FEMALE, AND GARDEN HOSE FEMALE ADAPTER.

Product Description:

Drawn:

Checked

Scale:

MCW

ARY

3" = 1'

Approved

Date:

CA

4-10-95

POT FILLER SPRAY ASSEMBLY