



T&S BRASS AND BRONZE WORKS, INC.
 2 SADDLEBACK COVE / P.O. BOX 1088 / TRAVELERS REST, SC 29690
 PHONE 800-476-4103 - FAX 864- 834-3518



Model No.
B-0113-A-08 SERIES
RELIABILITY BUILT IN

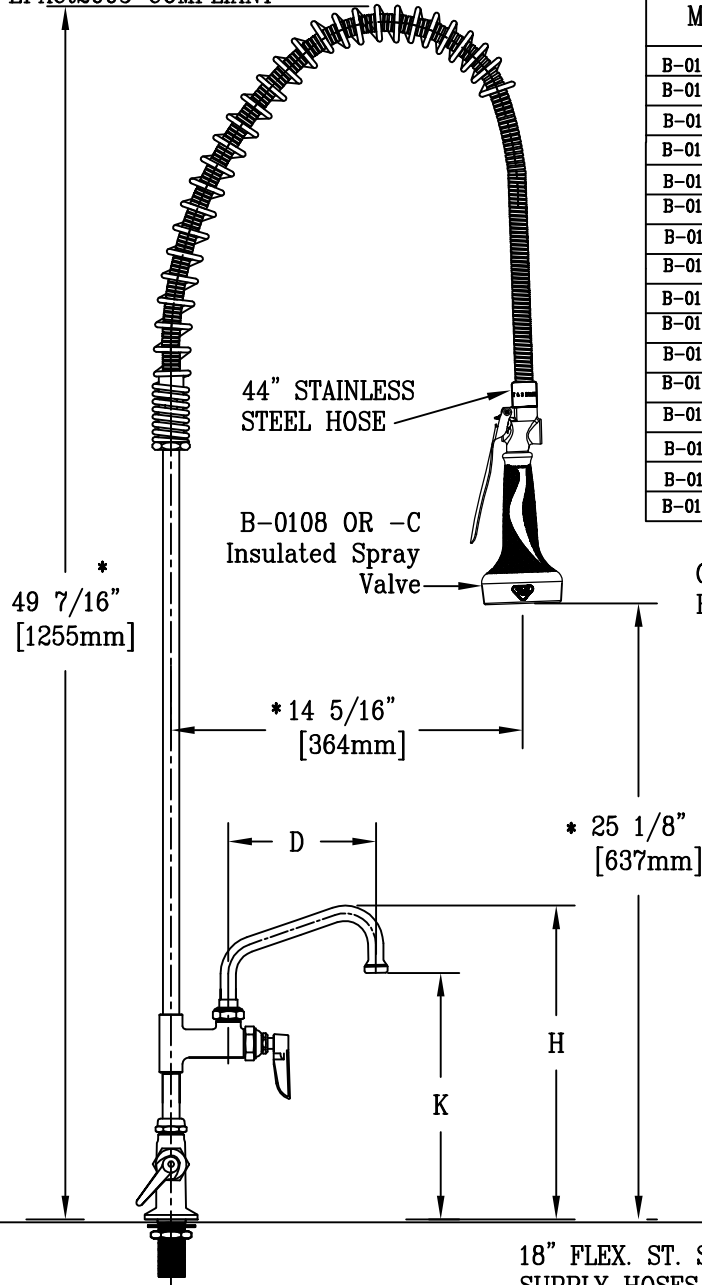
Job Name:

Architect/Engineer Approval:

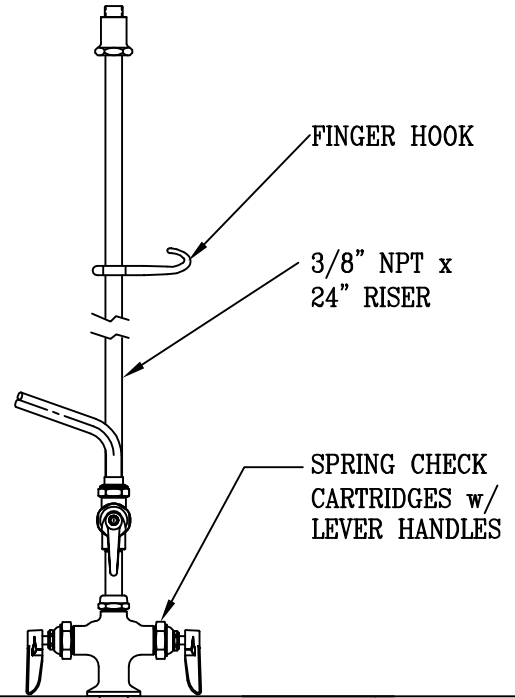
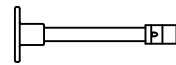
Notes:

EPAct2005 COMPLIANT

MODEL	D	K	H	WALL BRACKET	FLOW	
					PATTERN	RATE
B-0113-A06-08	6"	10 1/16"	12 13/16"	NO	SHOWER	1.48GPM
B-0113-A06-08C	6"	10 1/16"	12 13/16"	NO	FAN SPRAY	1.20GPM
B-0113-A06-B08	6"	10 1/16"	12 13/16"	YES	SHOWER	1.48GPM
B-0113-A06-B08C	6"	10 1/16"	12 13/16"	YES	FAN SPRAY	1.20GPM
B-0113-A08-08	8"	10 5/8"	13 3/8"	NO	SHOWER	1.48GPM
B-0113-A08-08C	8"	10 5/8"	13 3/8"	NO	FAN SPRAY	1.20GPM
B-0113-A08-B08	8"	10 5/8"	13 3/8"	YES	SHOWER	1.48GPM
B-0113-A08-B08C	8"	10 5/8"	13 3/8"	YES	FAN SPRAY	1.20GPM
B-0113-A10-08	10"	11 5/16"	14 1/16"	NO	SHOWER	1.48GPM
B-0113-A10-08C	10"	11 5/16"	14 1/16"	NO	FAN SPRAY	1.20GPM
B-0113-A10-B08	10"	11 5/16"	14 1/16"	YES	SHOWER	1.48GPM
B-0113-A10-B08C	10"	11 5/16"	14 1/16"	YES	FAN SPRAY	1.20GPM
B-0113-A12-08	12"	11 7/16"	14 3/16"	NO	SHOWER	1.48GPM
B-0113-A12-08C	12"	11 7/16"	14 3/16"	NO	FAN SPRAY	1.20GPM
B-0113-A12-B08	12"	11 7/16"	14 3/16"	YES	SHOWER	1.48GPM
B-0113-A12-B08C	12"	11 7/16"	14 3/16"	YES	FAN SPRAY	1.20GPM



OPTIONAL WALL BRACKET



18" FLEX. ST. STEEL SUPPLY HOSES.

COMPRESSION FITTINGS FOR 5/8" O.D COPPER TUBING. OR REMOVE COMPRESSION NUT FOR 1/2" NPSM MALE.

APPX. 22" [559mm]

* DIMENSIONS MAY VARY ± 1/2" ON EACH INSTALLATION

Product Description:
 EASY INSTALL PRE-RINSE UNIT:
 SINGLE DECK MOUNT BASE MIXING FAUCET, FLEXIBLE SUPPLIES, ADD ON FCT.,
 6"-12" SWING NOZZLE, SUPPORT SPRING, 44" FLEX HOSE, B-0108(-C), WALL BRACKET OPTIONAL

Drawn: JRM	Checked GEF	Scale: 1 : 8
Approved JHB	Date: 08/03/06	