



T&S BRASS AND BRONZE WORKS, INC.
 2 SADDLEBACK COVE / P.O. BOX 1088 / TRAVELERS REST, SC 29690
 PHONE 800-476-4103 - FAX 864- 834-3518



Model No.

B-0113-ADF10-BR

**RELIABILITY
 BUILT IN**

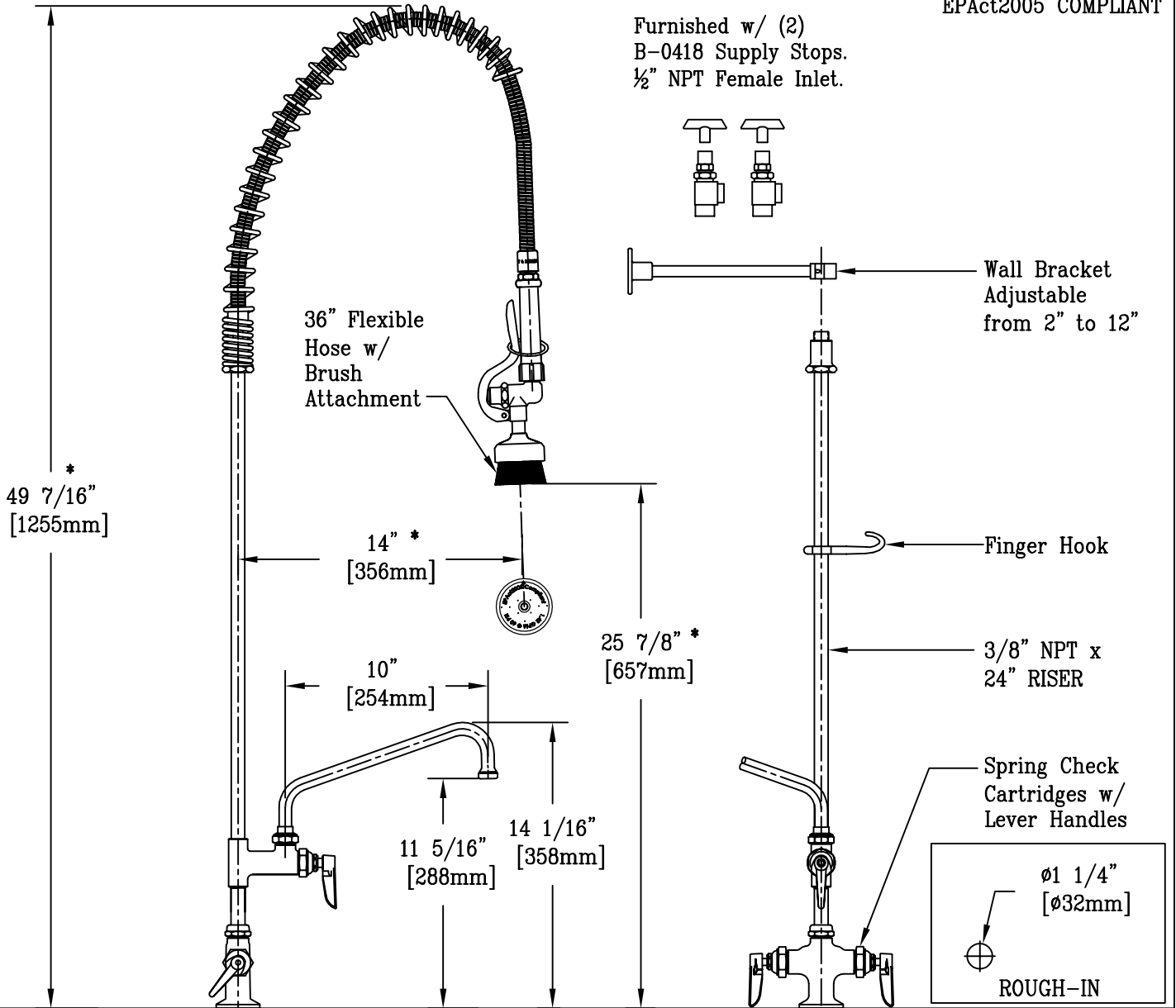
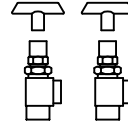
Job Name:

Architect/Engineer Approval:

Notes:

EPAct2005 COMPLIANT

Furnished w/ (2)
 B-0418 Supply Stops.
 1/2" NPT Female Inlet.



Furnished w/ (2) Optional 013121-45 36" Long Flexible Supply Hoses. 1/2" NPT Male x 1/2" NPSM Female. Use in tandem w/ 20" Supplies on Base

* DIMENSIONS MAY VARY ± 1/2" ON EACH INSTALLATION

20" Long Flexible Supplies. Use in tandem w/ 36" Supply Hoses

Product Description:
 EASY INSTALL PRE-RINSE UNIT: SINGLE HOLE DECK MOUNT, FLEX. SUPPLY HOSES, ADD-ON-FCT, 10" SWING NOZZLE, 36" ST.STEEL HOSE, SPRAY VALVE, BRUSH ATTACHMENT, 12" WALL BRACKET

Drawn: WJS	Checked JRM	Scale: 1 : 8
Approved JHB	Date: 4/26/06	