

T&S BRASS AND BRONZE WORKS, INC.
 2 SADDLEBACK COVE / P.O. BOX 1088 / TRAVELERS REST, SC 29690
 PHONE 800-476-4103 - FAX 864- 834-3518



Model No.

B-0133-A-08 SERIES

**RELIABILITY
 BUILT IN**

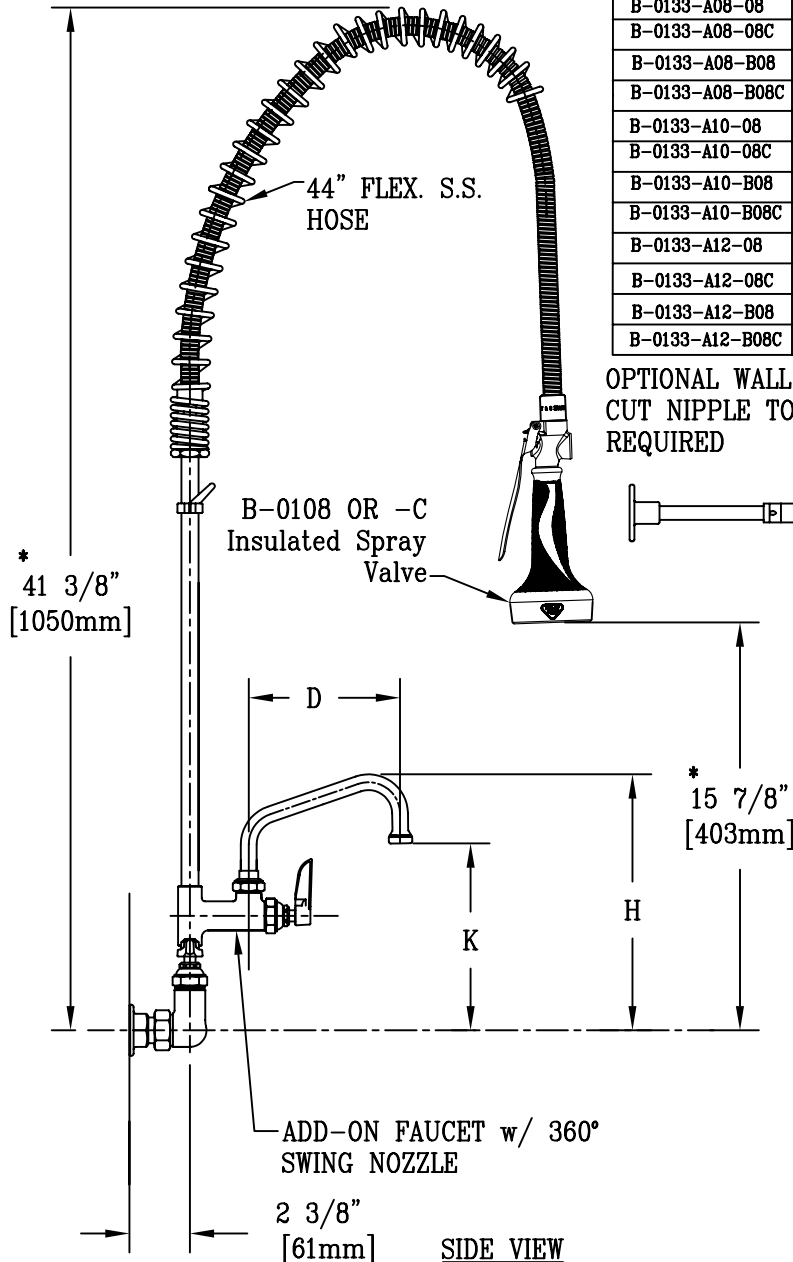
Job Name:

Architect/Engineer Approval:

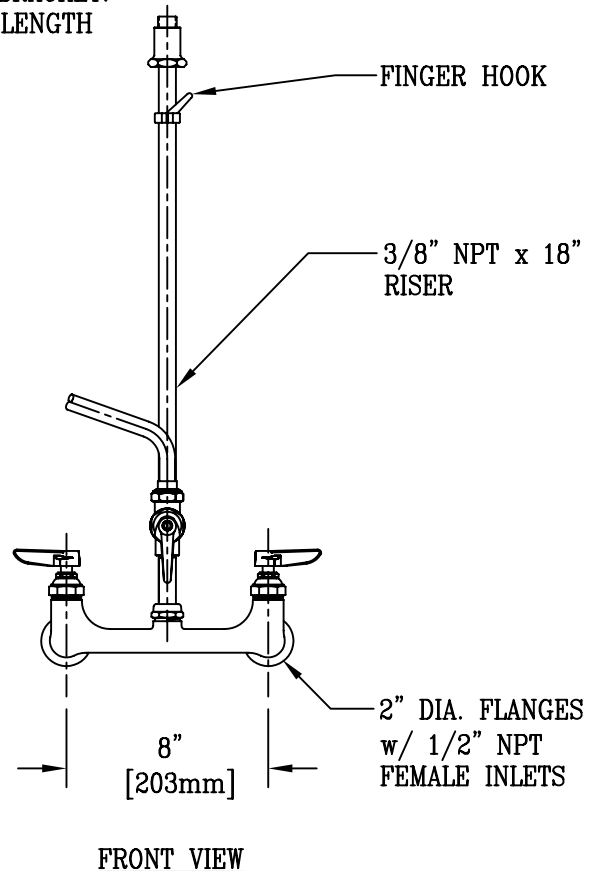
Notes:

EPAct2005 COMPLIANT

MODEL	D	K	H	WALL BRACKET	FLOW	
					PATTERN	RATE
B-0133-A06-08	6"	7 7/16"	10 1/8"	NO	SHOWER	1.48GPM
B-0133-A06-08C	6"	7 7/16"	10 1/8"	NO	FAN SPRAY	1.20GPM
B-0133-A06-B08	6"	7 7/16"	10 1/8"	YES	SHOWER	1.48GPM
B-0133-A06-B08C	6"	7 7/16"	10 1/8"	YES	FAN SPRAY	1.20GPM
B-0133-A08-08	8"	8"	10 3/4"	NO	SHOWER	1.48GPM
B-0133-A08-08C	8"	8"	10 3/4"	NO	FAN SPRAY	1.20GPM
B-0133-A08-B08	8"	8"	10 3/4"	YES	SHOWER	1.48GPM
B-0133-A08-B08C	8"	8"	10 3/4"	YES	FAN SPRAY	1.20GPM
B-0133-A10-08	10"	8 11/16"	11 7/16"	NO	SHOWER	1.48GPM
B-0133-A10-08C	10"	8 11/16"	11 7/16"	NO	FAN SPRAY	1.20GPM
B-0133-A10-B08	10"	8 11/16"	11 7/16"	YES	SHOWER	1.48GPM
B-0133-A10-B08C	10"	8 11/16"	11 7/16"	YES	FAN SPRAY	1.20GPM
B-0133-A12-08	12"	8 13/16"	11 9/16"	NO	SHOWER	1.48GPM
B-0133-A12-08C	12"	8 13/16"	11 9/16"	NO	FAN SPRAY	1.20GPM
B-0133-A12-B08	12"	8 13/16"	11 9/16"	YES	SHOWER	1.48GPM
B-0133-A12-B08C	12"	8 13/16"	11 9/16"	YES	FAN SPRAY	1.20GPM



OPTIONAL WALL BRACKET:
 CUT NIPPLE TO LENGTH
 REQUIRED



* DIMENSIONS MAY VARY ± 1/2" ON EACH INSTALLATION

Product Description:
 EASY INSTALL PRE-RINSE UNIT:
 8" c/c WALL MOUNT BASE FAUCET, 1/2" NPT FEMALE INLETS, 18" RISER, BRACKET(OPTIONAL)
 ADD ON FCT., 6"-12" SWING NOZZLE, SUPPORT SPRING, 44" FLEX HOSE, B-0108(-C) SPRAY

Drawn: JRM	Checked GEF	Scale: 1:8
Approved JHB	Date: 8/3/06	