



T&S BRASS AND BRONZE WORKS, INC.
 2 SADDLEBACK COVE / P.O. BOX 1088 / TRAVELERS REST, SC 29690
 PHONE 800-476-4103 - FAX 864- 834-3518



Model No.

B-0133-ADF14-B

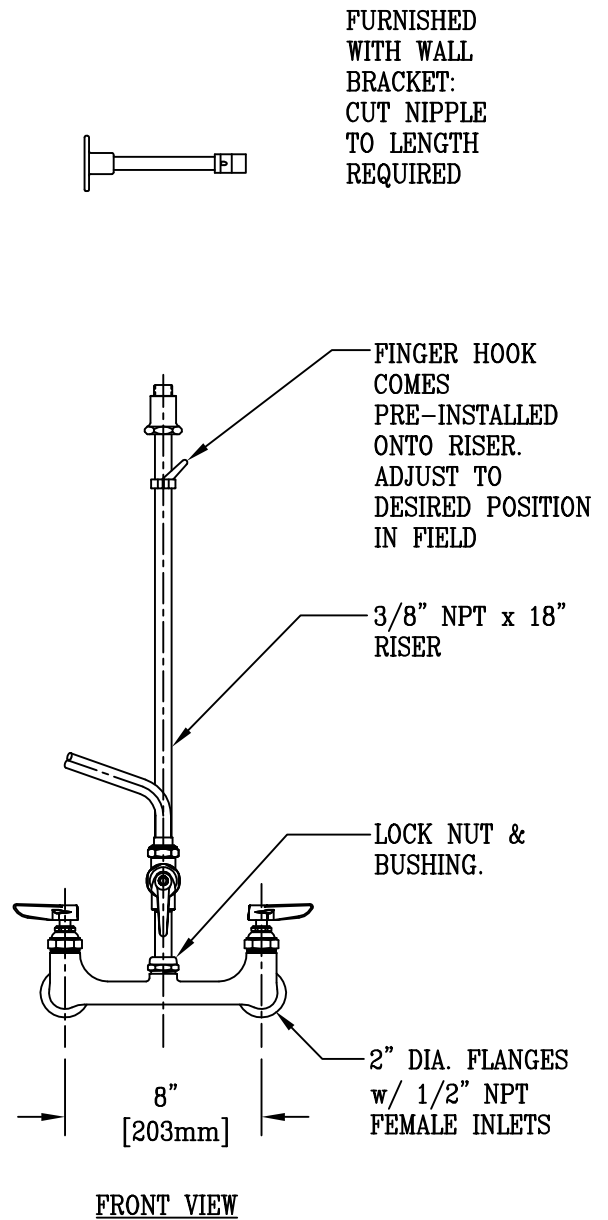
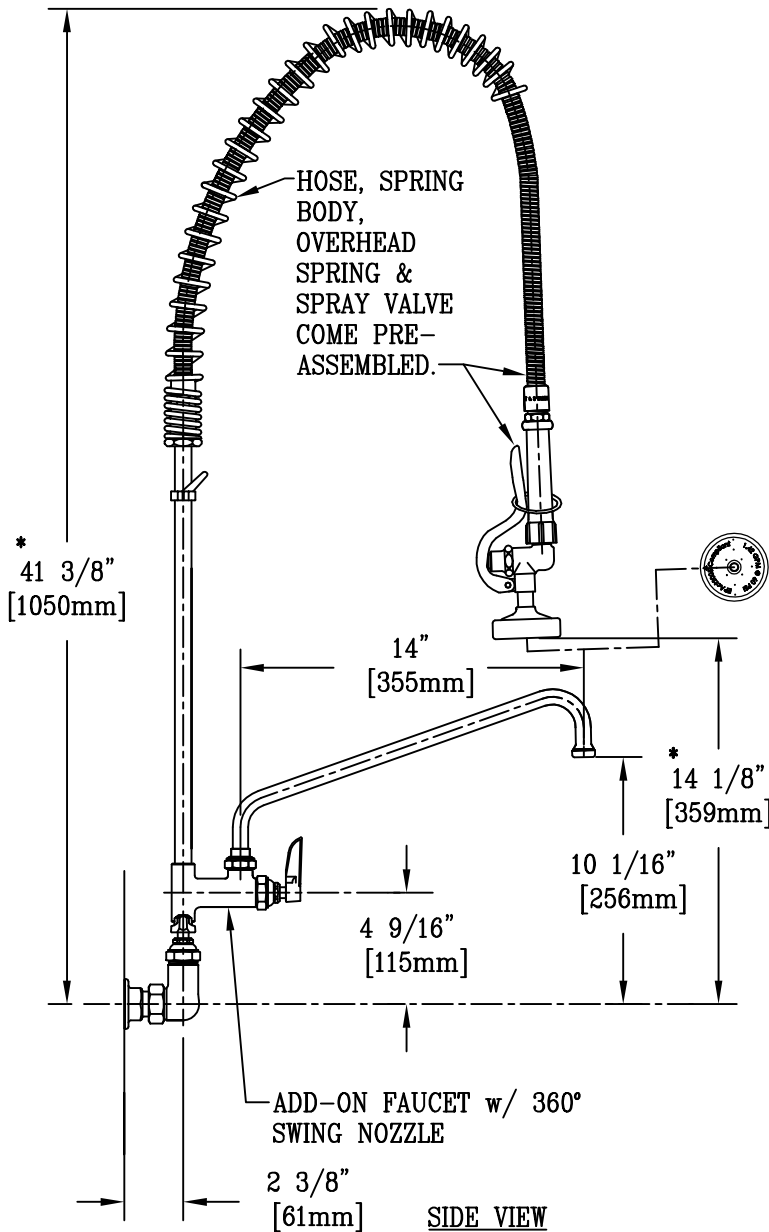
**RELIABILITY
BUILT IN**

Job Name:

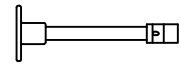
Architect/Engineer Approval:

Notes:

EPAct2005 COMPLIANT



FURNISHED WITH WALL BRACKET: CUT NIPPLE TO LENGTH REQUIRED



* DIMENSIONS MAY VARY ± 1/2" ON EACH INSTALLATION

Product Description:
 EASY INSTALL PRE-RINSE UNIT:
 8" c/c WALL MOUNT BASE FAUCET, 1/2" NPT FEMALE INLETS, 18" RISER,
 ADD ON FCT., 14" SWING NOZZLE, SUPPORT SPRING, 44" FLEX HOSE, B-0107 SPRAY

Drawn:

RJK

Checked

JRM

Scale:

1:8

Approved

JHB

Date:

01-04-06