



T&S BRASS AND BRONZE WORKS, INC.
 2 SADDLEBACK COVE / P.O. BOX 1088 / TRAVELERS REST, SC 29690
 PHONE 800-476-4103 - FAX 864- 834-3518



Model No.

B-0133-B-145X

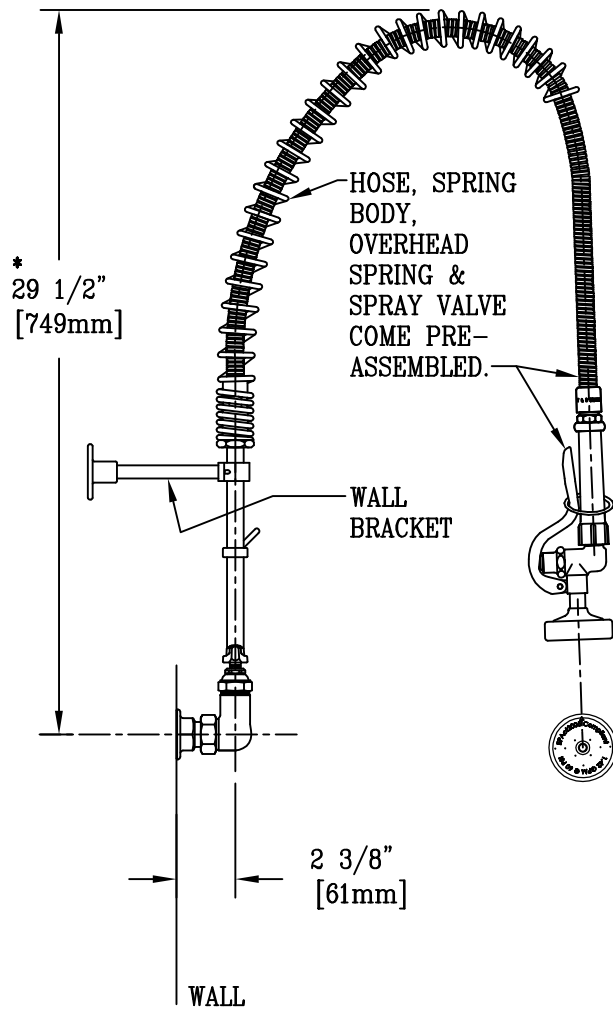
**RELIABILITY
BUILT IN**

Job Name:

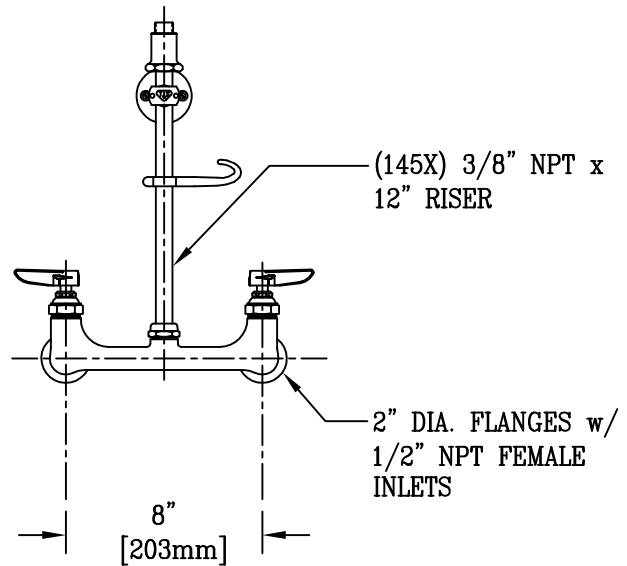
Architect/Engineer Approval:

Notes:

EPAct2005 COMPLIANT



SIDE VIEW



FRONT VIEW

* DIMENSION MAY VARY ± 1/2" ON EACH INSTALLATION

Product Description:
 EASY INSTALL PRE-RINSE UNIT:
 8" c/c WALL MOUNT BASE MIXING FAUCET, 1/2" NPT FEMALE INLETS, WALL BRACKET,
 12" RISER, SUPPORT SPRING, 44" FLEX HOSE, LOW-FLOW SPRAY VALVE

Drawn: WJS	Checked JRM	Scale: 1:8
Approved JHB		Date: 02/03/06