



T&S BRASS AND BRONZE WORKS, INC.
 2 SADDLEBACK COVE / P.O. BOX 1088 / TRAVELERS REST, SC 29690
 PHONE 800-476-4103 FAX 864-834-3518



Model No.

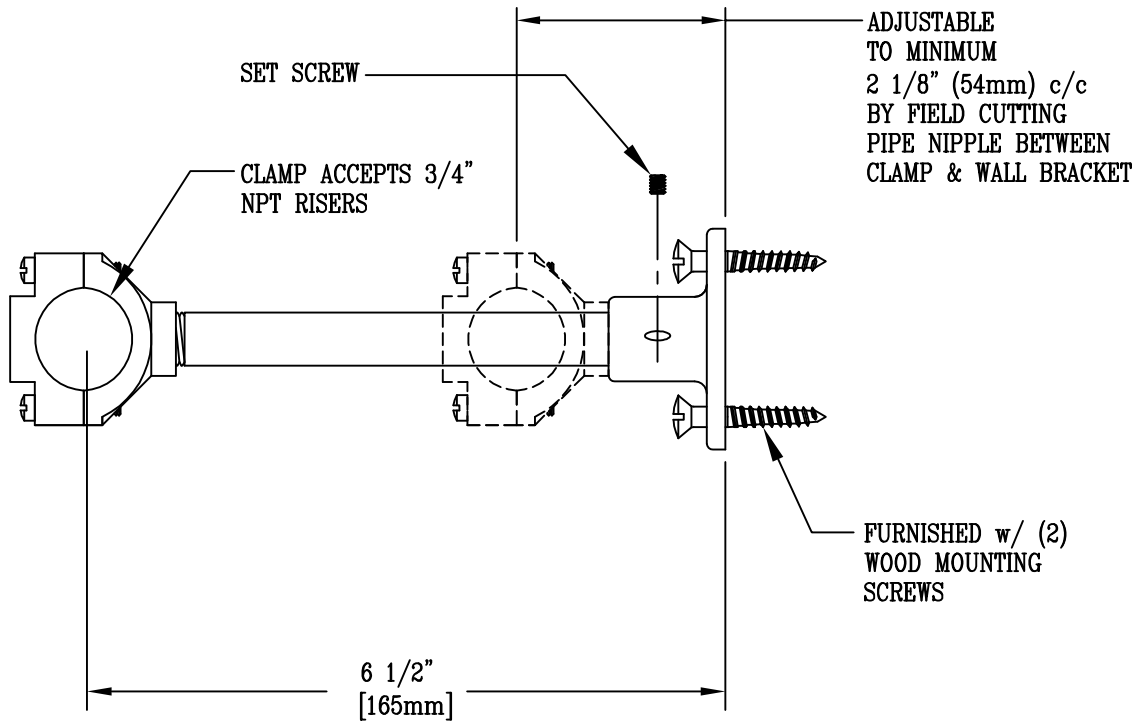
B-0159

Item No.:

Job Name:

Architect/Engineer Approval:

Notes:



Product Description:
 6" WALL BRACKET ASSEMBLY FOR 3/4" NPT RISERS

Drawn:

WJS

Checked

JHB

Scale:

1 : 2

Approved

JHB

Date:

10/21/05