



T&S BRASS AND BRONZE WORKS, INC.  
 2 SADDLEBACK COVE / P.O. BOX 1088 / TRAVELERS REST, SC 29690  
 PHONE 800-476-4103 FAX 864- 834-3518



Model No.

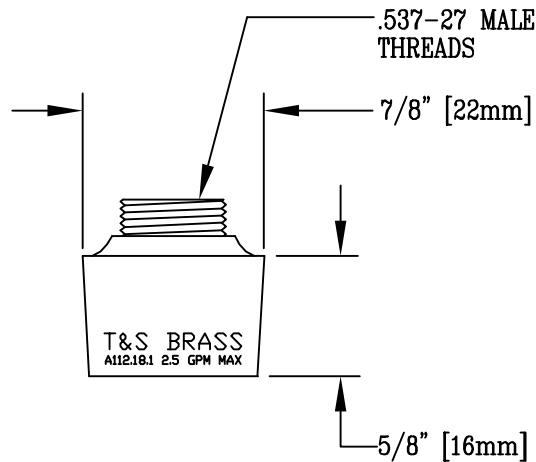
B-0199-20

Item No.:

Job Name:

Architect/Engineer Approval:

Notes:



Product Description:

B-199-02 AERATOR w/ .537-27 ADAPTER

Drawn:

WJS

Approved

MVW

Checked

DMA

Scale:

1 : 1

Date:

4/28/98