



# T&S BRASS AND BRONZE WORKS, INC.

2 SADDLEBACK COVE / P.O. BOX 1088 / TRAVELERS REST, SC 29690  
PHONE 800-476-4103 FAX 864-834-3518



REG. #A2601  
ISO #9001

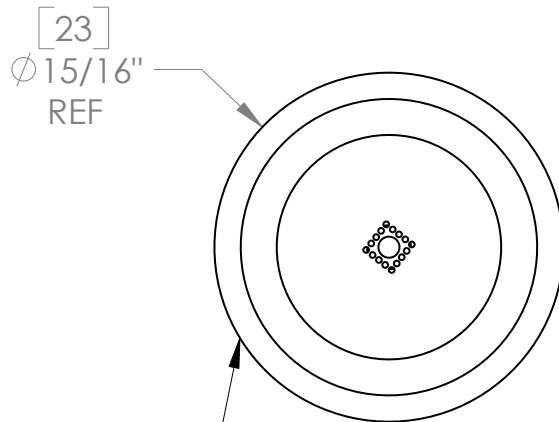
Model No. **B-0199-29**

Item No.

Job Name:

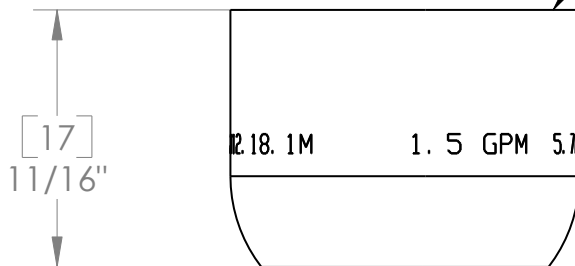
Architect/Engineer Approval:

Notes:



NO LOGO.  
ONLY CERTIFICATIONS.

55/64"-27 FEMALE  
THREAD



Product Description:

**LAMINAR FLOW OUTLET, 55/64"-27  
FEMALE THREAD - NO LOGO**

Drawn:

JRM

Checked:

GEF

Scale:

1:1

Approved:

10/16/06

Date:

JHB