



T&S BRASS AND BRONZE WORKS, INC.
 2 SADDLEBACK COVE / P.O. BOX 1088 / TRAVELERS REST, SC 29690
 PHONE 800-476-4103 - FAX 864- 834-3518



Model No.

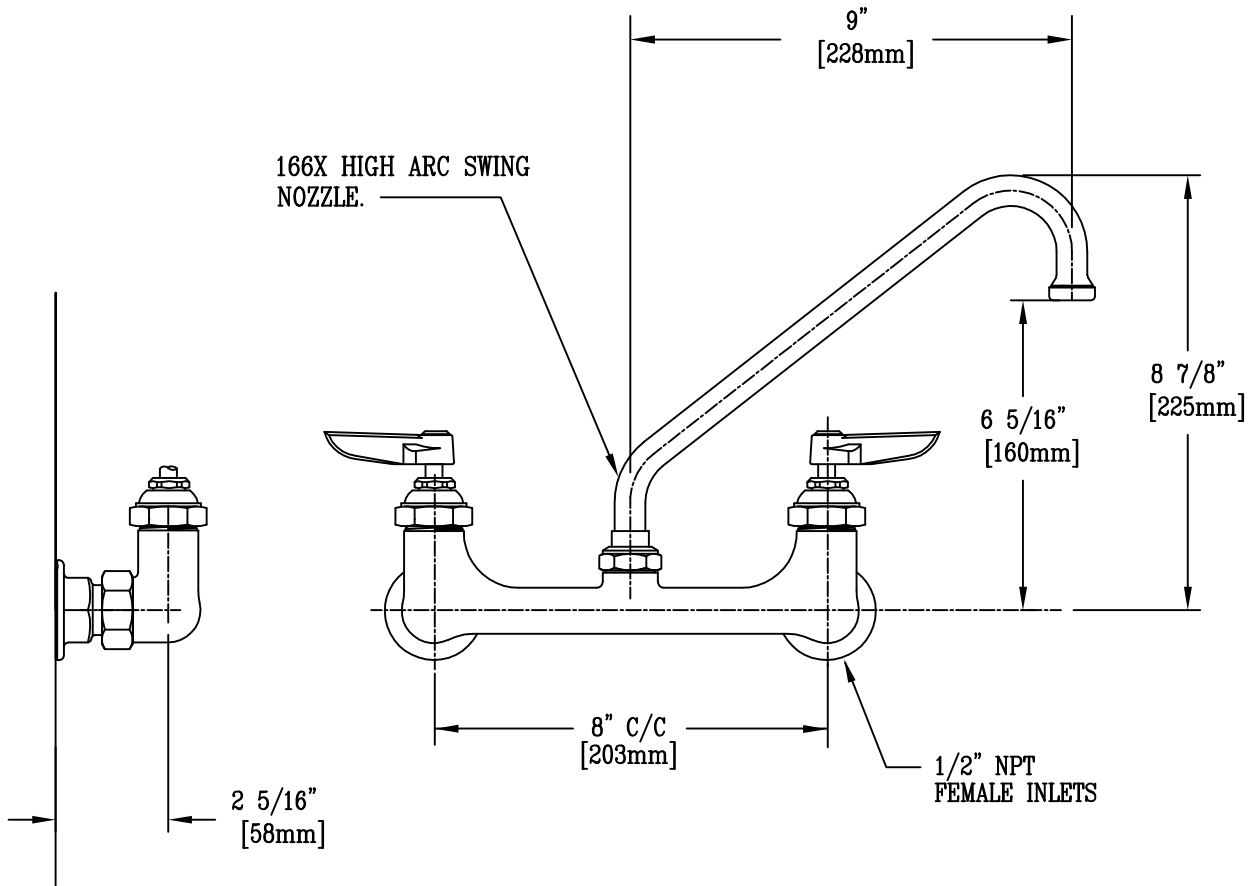
B-0230-166X

**RELIABILITY
 BUILT IN**

Job Name:

Architect/Engineer Approval:

Notes:



Product Description:

8" c/c WALL MOUNT SWIVEL BASE MIXING FAUCET WITH LEVER HANDLES
 1/2" NPT FEMALE INLETS, HIGH ARC SWING NOZZLE

Drawn:

WJS

Approved

JHB

Checked

LEL

Scale:

1 : 4

Date:

6/21/05