



# T&S BRASS AND BRONZE WORKS, INC.

2 Saddleback Cove / P.O. Box 1088  
Travelers Rest, SC 29690



REG. #A2601  
ISO #9001

Model No.  
**B-0231**

Item No.

Travelers Rest, SC: 800-476-4103 Simi Valley, CA: 800-423-0150 Fax: 864-834-3518 www.tsbrass.com

This Space for Architect/Engineer Approval

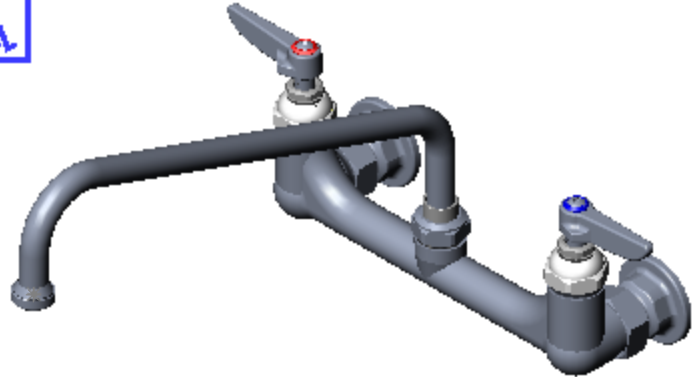
Job Name \_\_\_\_\_ Date \_\_\_\_\_

Model Specified \_\_\_\_\_ Quantity \_\_\_\_\_

Customer/Wholesaler \_\_\_\_\_

Contractor \_\_\_\_\_

Architect/Engineer \_\_\_\_\_

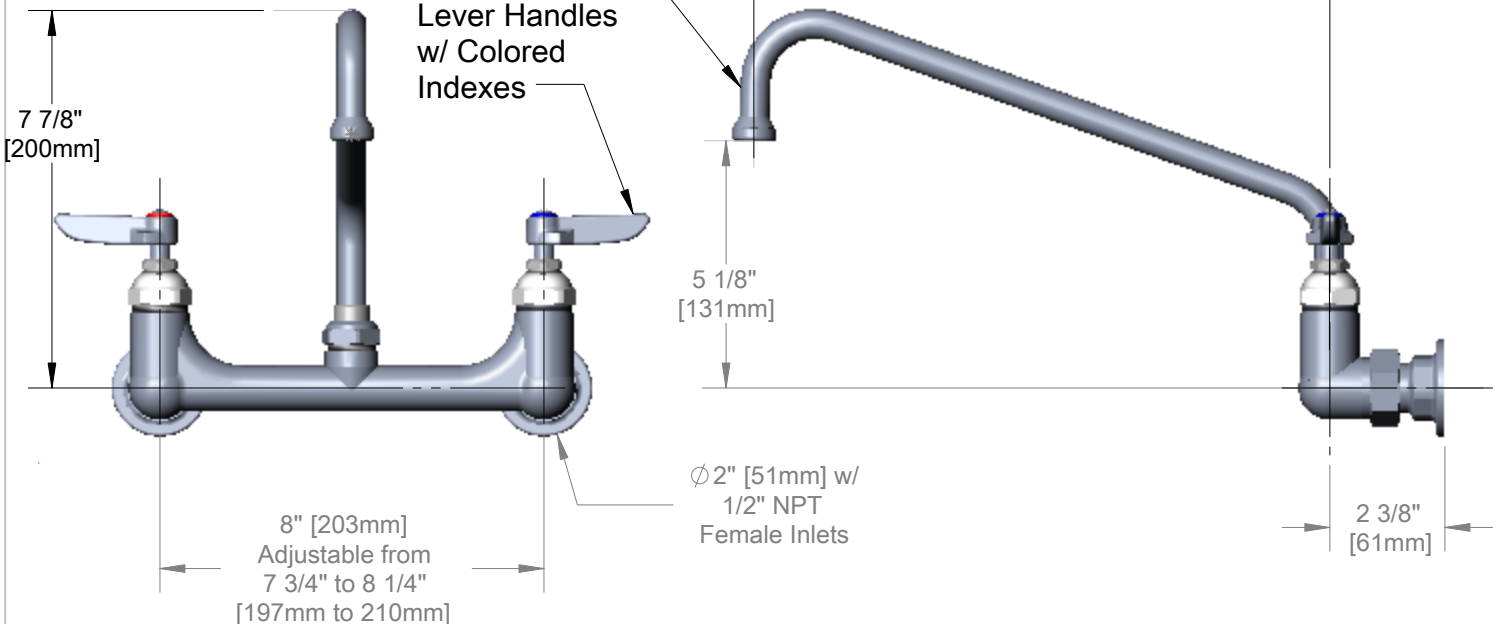


### Variations or Applicable Options:

- WH6 6" Wrist Action Handles
- WH4 4" Wrist Action Handles
- 175F 4-Arm Kitchen Handles

062X 12"  
Swing Nozzle  
w/ Stream  
Regulator

Lever Handles  
w/ Colored  
Indexes



### Product Specifications:

8" c/c Wall Mount Mixing Faucet w/ 1/2" NPT  
Female Eccentric Inlet Flanges, Lever Handles,  
12" Swing Nozzle w/ Stream Regulator

Drawn  
WJS

Checked  
JRM

Approved  
JHB

Scale:

1:4

Date:

10/19/06



**T&S BRASS AND BRONZE WORKS, INC.**

2 Saddleback Cove / P.O. Box 1088  
Travelers Rest, SC 29690



REG. #A2601  
ISO #9001

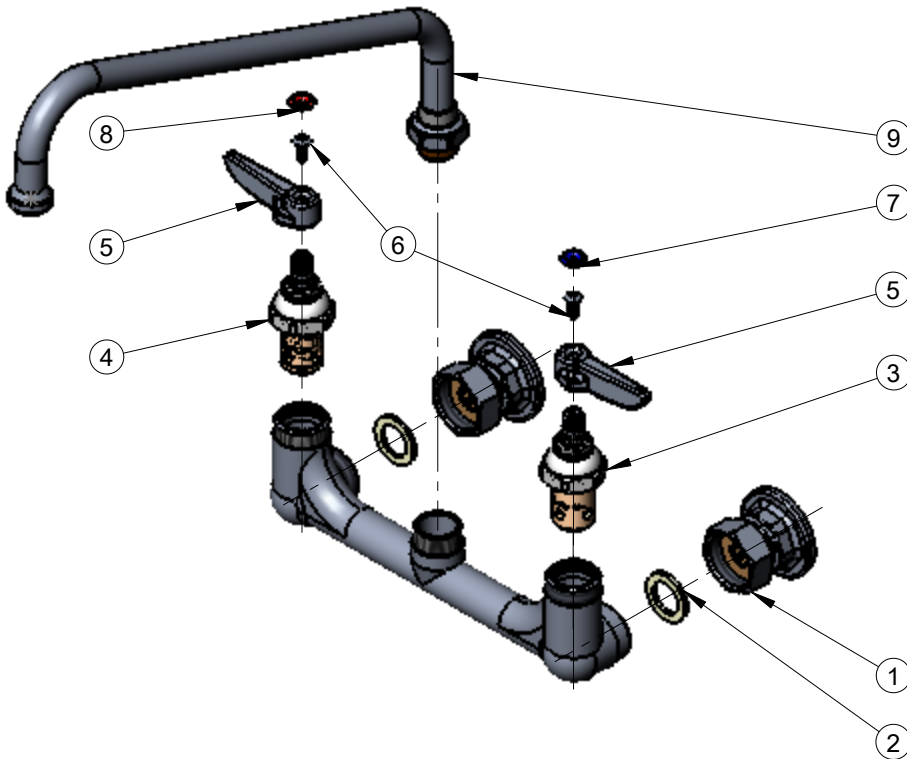
Model No.

**B-0231**

Item No.

Travelers Rest, SC: 800-476-4103    Simi Valley, CA: 800-423-0150    Fax: 864-834-3518    www.tsbrass.com

ITEM	PART NO.	DESCRIPTION
1	00AA	00AA Flange Asm
2	001019-45	Cplg Nut Washer
3	005959-40	Eterna Barrel Asm-Cold
4	005960-40	Eterna Barrel Asm-Hot
5	177F	Lever Handle
6	000922-45	Lever Handle Screw
7	001660-45	Blue Index-CW
8	001661-45	Red Index-HW
9	062X	062X Swing Nozzle



Product Specifications:

8" c/c Wall Mount Mixing Faucet w/ 1/2" NPT  
Female Eccentric Inlet Flanges, Lever Handles,  
12" Swing Nozzle w/ Stream Regulator

Drawn <b>WJS</b>	Checked <b>JRM</b>	Approved <b>JHB</b>
Scale: <b>1:4</b>		Date: <b>10/19/06</b>