



T&S BRASS AND BRONZE WORKS, INC.

2 SADDLEBACK COVE / P.O. BOX 1088 / TRAVELERS REST, SC 29690

(803) 834-4102 TELEX 57-0311 FAX (803) 834-3518

Model No.

B-0235-LN

Item No.:

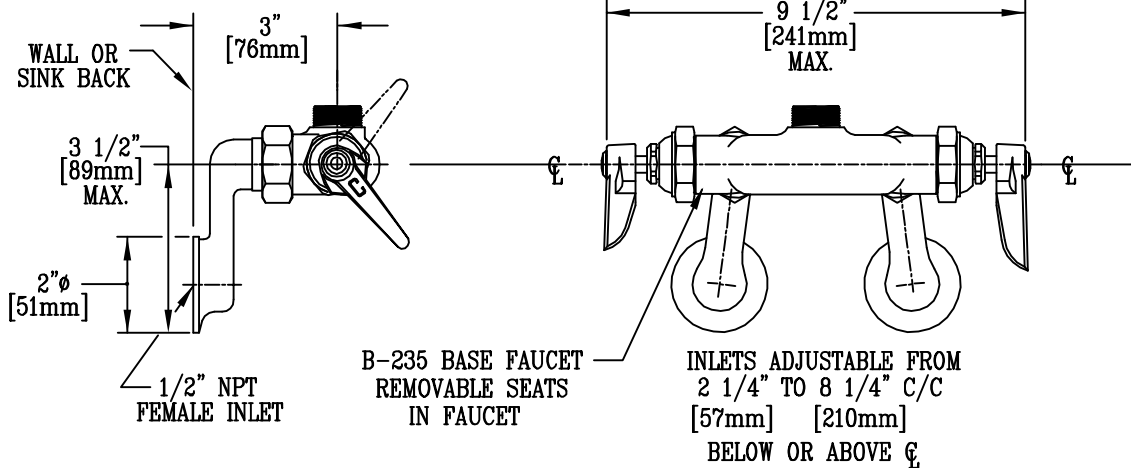
Job Name:

Architect/Engineer Approval:

Notes:



ADA COMPLIANT



Product Description:

COMBINATION SINK FAUCET - LESS NOZZLE,
WITH ADJUSTABLE INLET ARMS.

Drawn:

MCW

Checked

SCM

Scale:

3" = 1'

Approved

CA

Date:

7/29/95