



T&S BRASS AND BRONZE WORKS, INC.
 2 SADDLEBACK COVE / P.O. BOX 1088 / TRAVELERS REST, SC 29690
 PHONE 800-476-4103 - FAX 864- 834-3518



Model No.

B-0238

**RELIABILITY
BUILT IN**

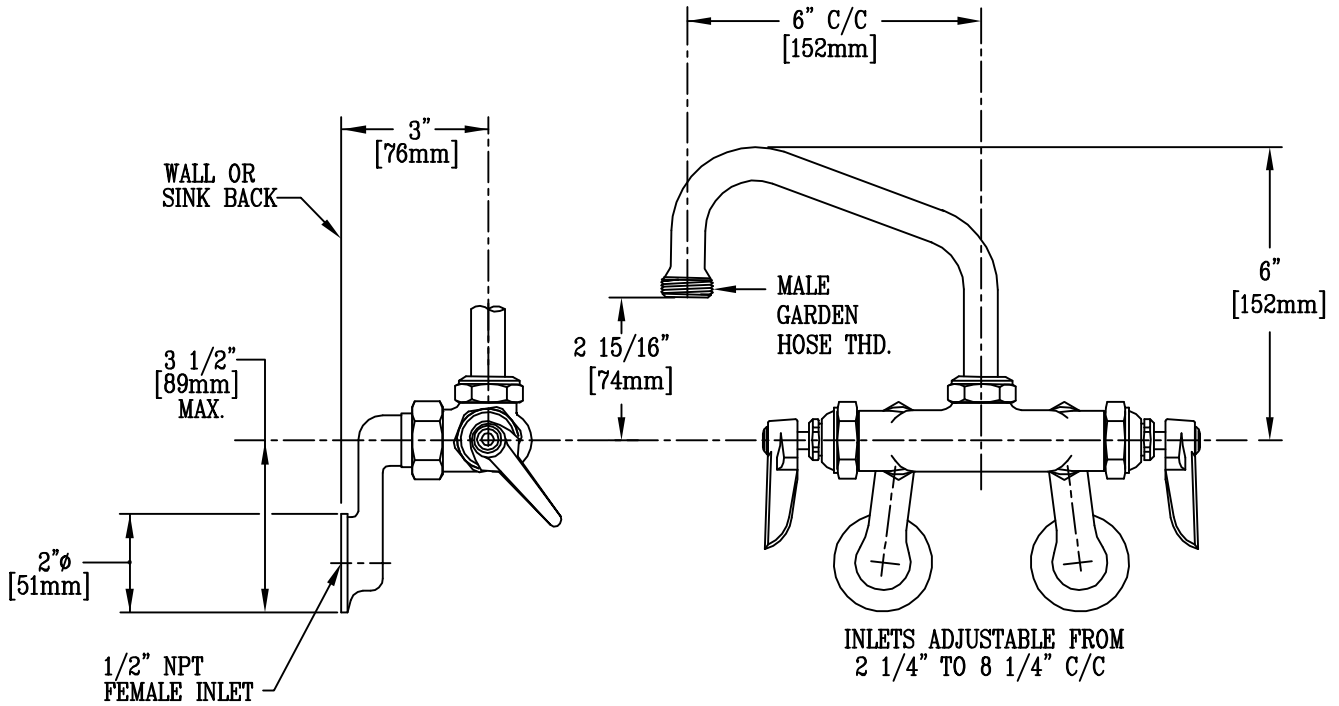
Job Name:

Architect/Engineer Approval:

Notes:



ADA COMPLIANT



Product Description:

WALL MOUNTED ADJUSTABLE c/c MIXING FAUCET WITH
 6" SWING NOZZLE & B-GFE GARDEN HOSE OUTLET

Drawn:

WJS

Approved

MVW

Checked

JKD

Scale:

1 : 4

Date:

9-25-01