



T&S BRASS AND BRONZE WORKS, INC.

2 SADDLEBACK COVE / P.O. BOX 1088 / TRAVELERS REST, SC 29690

PHONE 800-476-4103

FAX 864- 834-3518



REG.#A2601  
ISO #9001

Model No.

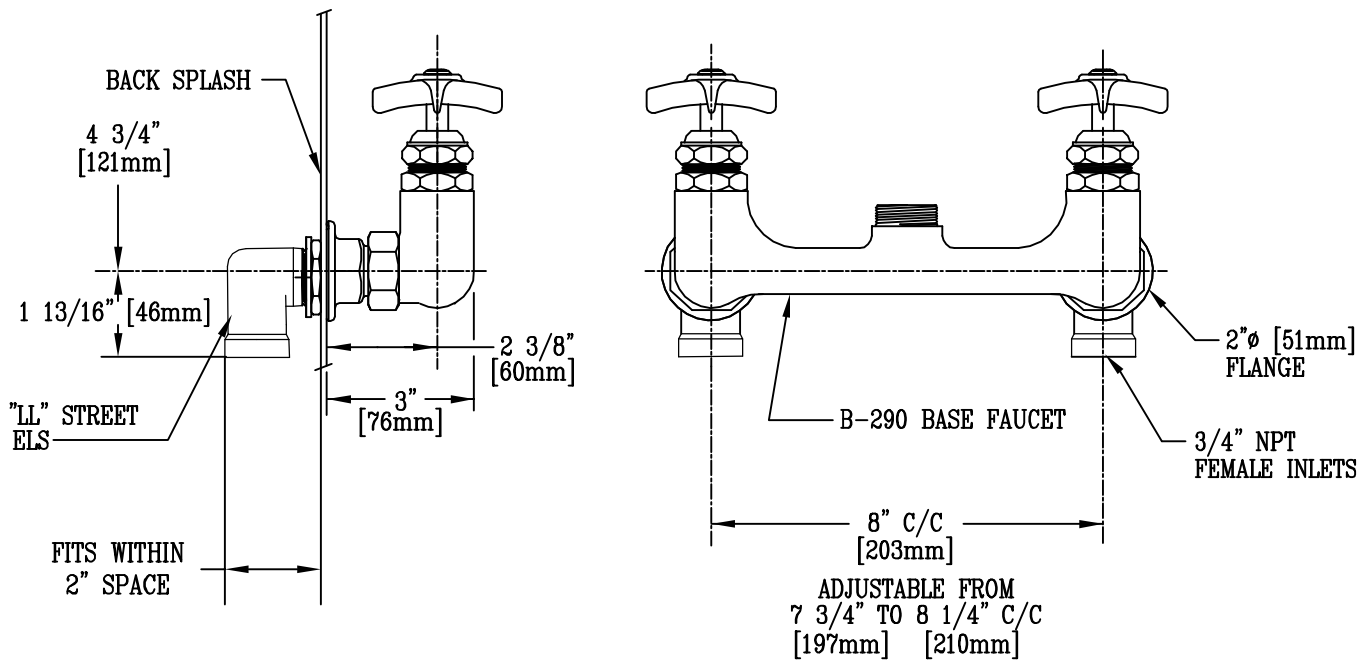
B-0290-LN

Item No.:

Job Name:

Architect/Engineer Approval:

Notes:



**NOTES:**

1. THIS MODEL INCLUDES LL STREET ELS. IF NOT REQ'D., SPECIFY INLETS OF FAUCET 3/4" NPT FEMALE-FLANGE.
2. DRILL 1 1/4"ø HOLES ON 8"C/C IN BACKSPLASH.

NSF STANDARD 61, SECTION 9 CERTIFIED.

Product Description: KETTLE & POT SINK MIXING FAUCET WITH LESS NOZZLE, WITH 4-ARM KITCHEN HANDLES & SPECIAL "LL" INLETS	Drawn:	Checked:	Scale:
	LEL	JKD	1 : 4
	Approved MVW	Date: 9/11/02	