



T&S BRASS AND BRONZE WORKS, INC.

2 SADDLEBACK COVE / P.O. BOX 1088 / TRAVELERS REST, SC 29690

PHONE 800-476-4103

FAX 864-834-3518



Model No.

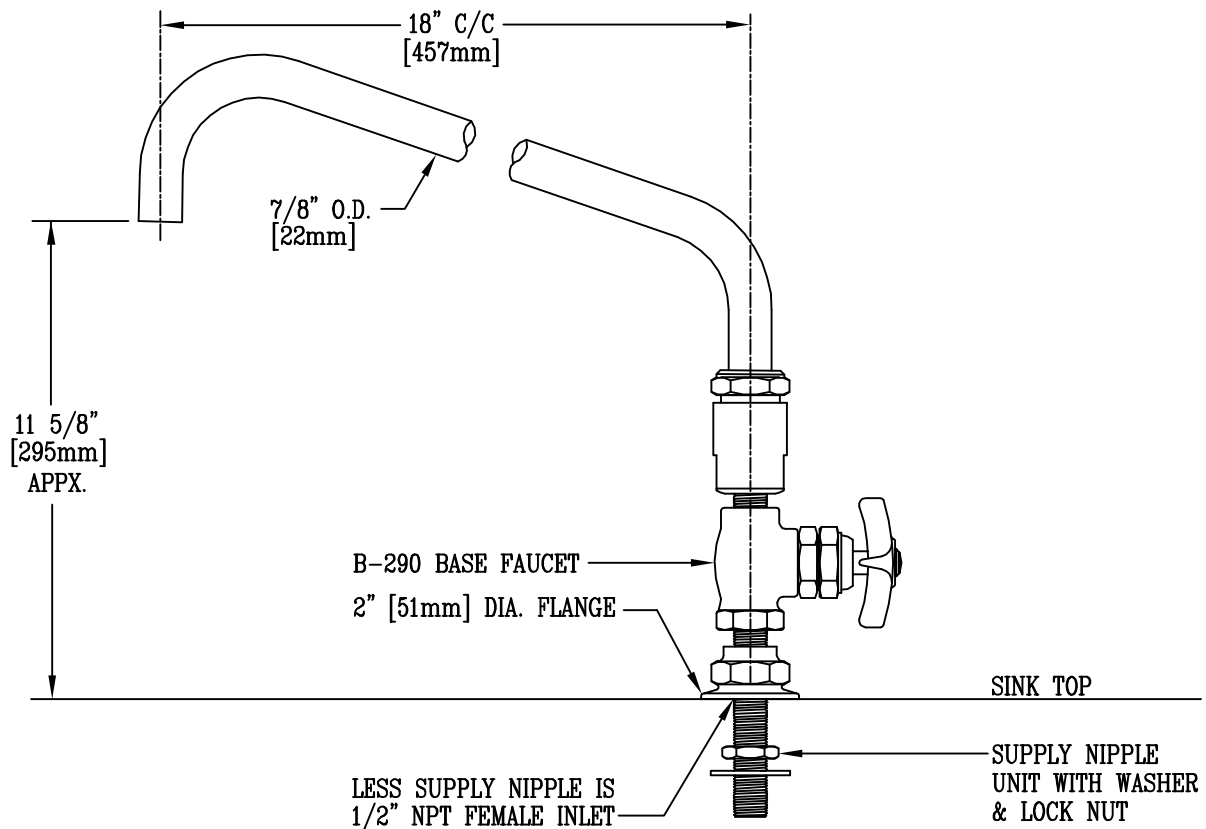
B-0297

Item No.:

Job Name:

Architect/Engineer Approval:

Notes:



NOTE : DRILL 1 1/4"  $\phi$  [32mm] HOLE ON 8" C/C IN SINK TOP.

Product Description: "BIG-FLO" FAUCET WITH 18" SWING NOZZLE, 4-ARM KITCHEN HANDLE, & 1/2" NPT SUPPLY NIPPLE	Drawn:	Checked:	Scale:
	MCW	MW	3" = 1'
	Approved CA	Date: 10-25-96	