



T&S BRASS AND BRONZE WORKS, INC.
 2 SADDLEBACK COVE / P.O. BOX 1088 / TRAVELERS REST, SC 29690
 PHONE 800-476-4103 - FAX 864- 834-3518

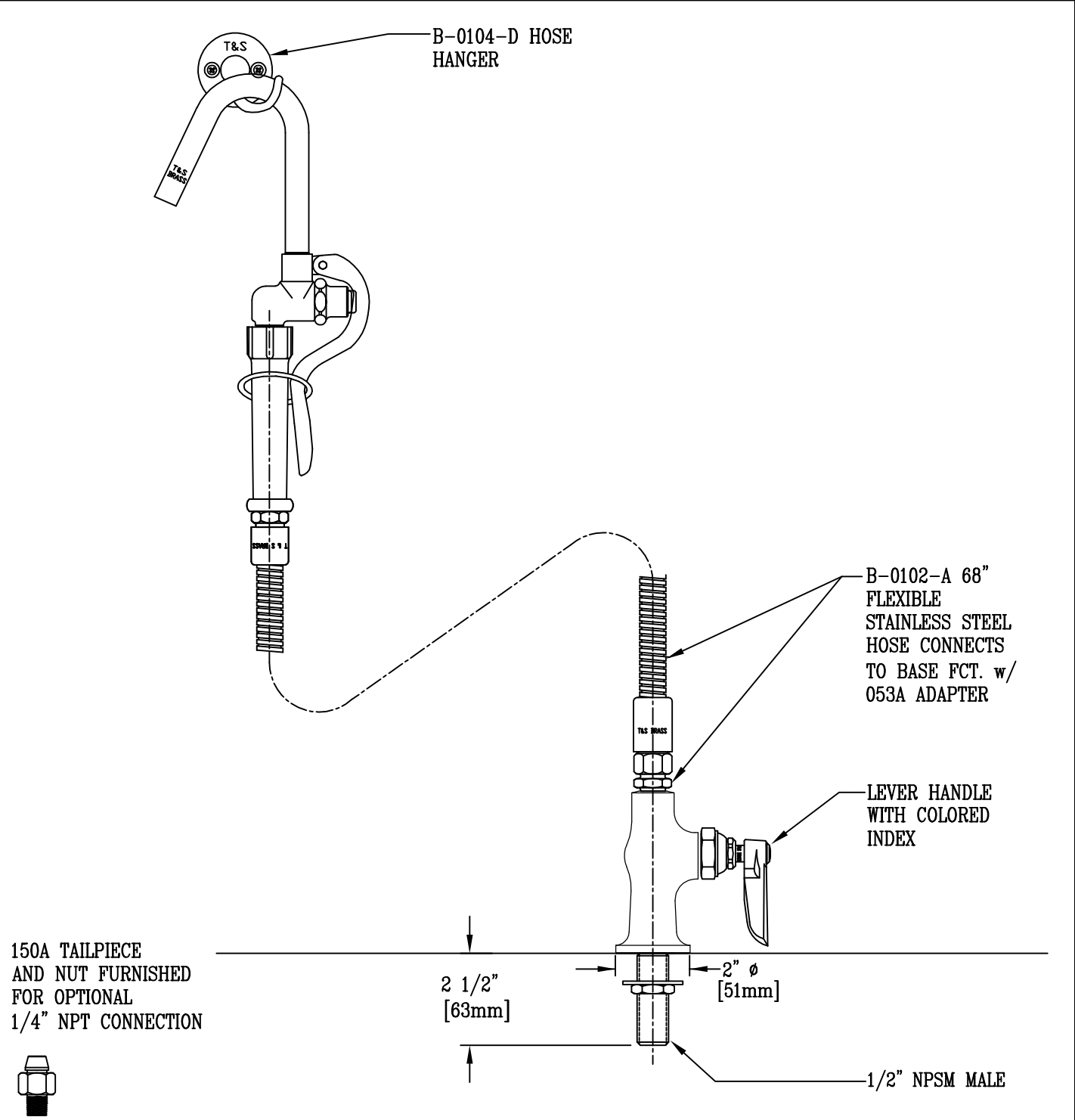


Model No.
 B-0305-102A
**RELIABILITY
 BUILT IN**

Job Name:

Architect/Engineer Approval:

Notes:



Product Description:
 Single Temperature Deck Mount Faucet w/
 B-0102-A Hose & Hook Nozzle

Drawn:
 WJS
 Approved
 JHB

Checked
 JRM

Scale:
 1 : 4
 Date:
 08/22/06