



**T&S BRASS AND BRONZE WORKS, INC.**  
 2 SADDLEBACK COVE / P.O. BOX 1088 / TRAVELERS REST, SC 29690  
 PHONE 800-476-4103 - FAX 864- 834-3518



Model No.

B-0306-01

**RELIABILITY  
 BUILT IN**

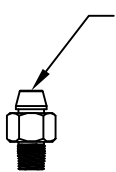
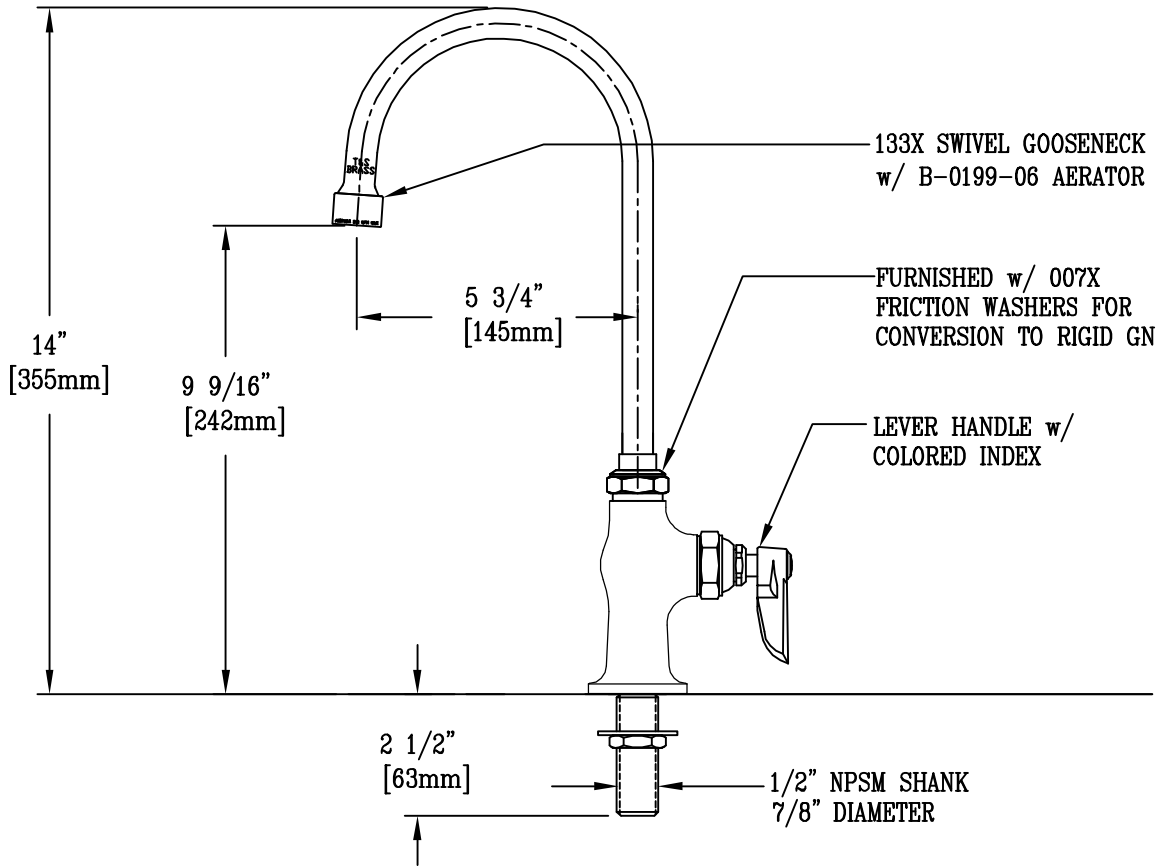
Job Name:

Architect/Engineer Approval:

Notes:



ADA COMPLIANT



150A TAILPIECE  
 AND NUT FURNISHED  
 FOR OPTIONAL  
 1/4" NPT CONNECTION

Product Description:

B-0306 w/ B-0199-06 AERATOR & 007X WASHERS

Drawn:

LEL

Checked

JKD

Scale:

1 : 4

Approved

MVW

Date:

9/11/02