



T&S BRASS AND BRONZE WORKS, INC.
 2 SADDLEBACK COVE / P.O. BOX 1088 / TRAVELERS REST, SC 29690
 PHONE 800-476-4103 FAX 864-834-3518



Model No.

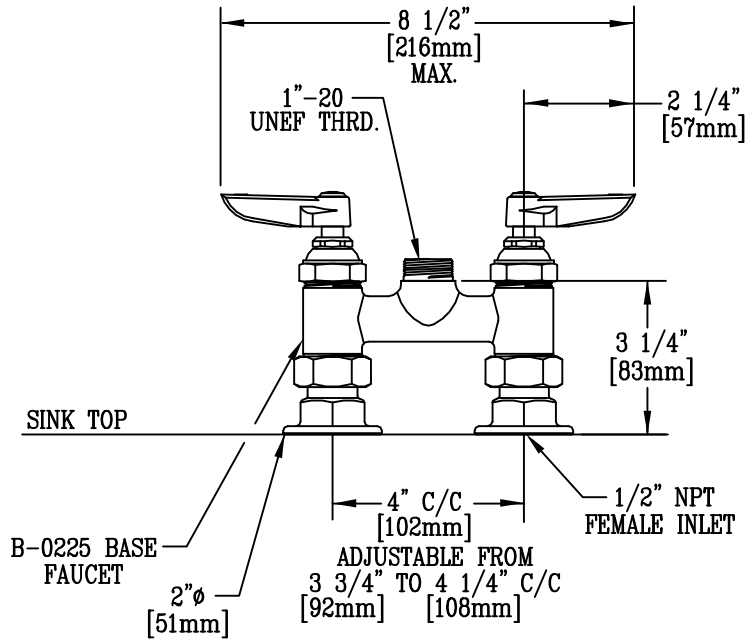
B-0325-LN

Item No.:

Job Name:

Architect/Engineer Approval:

Notes:



NOTES:

1. ALSO AVAILABLE WITH B-WH-4" OR B-WH-6" WRIST ACTION BLADE HANDLES.
2. NSF STANDARD 61, SECTION 9 CERTIFIED

Product Description:

DECK MIXING FAUCET LESS NOZZLE

Drawn:

MCW

Approved

CA

Checked

ARD

Scale:

$3'' = 1'$

Date:

7-17-95